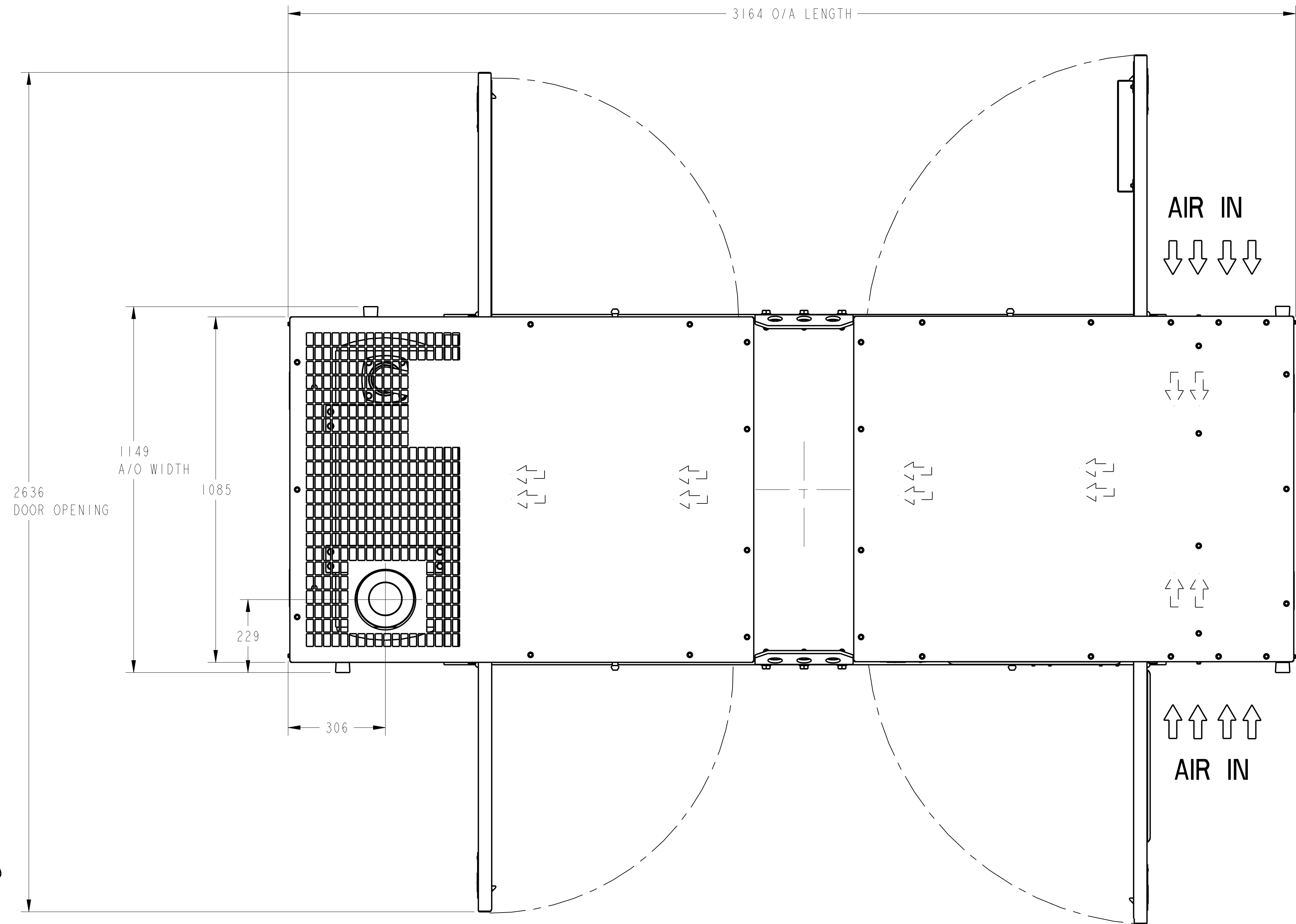
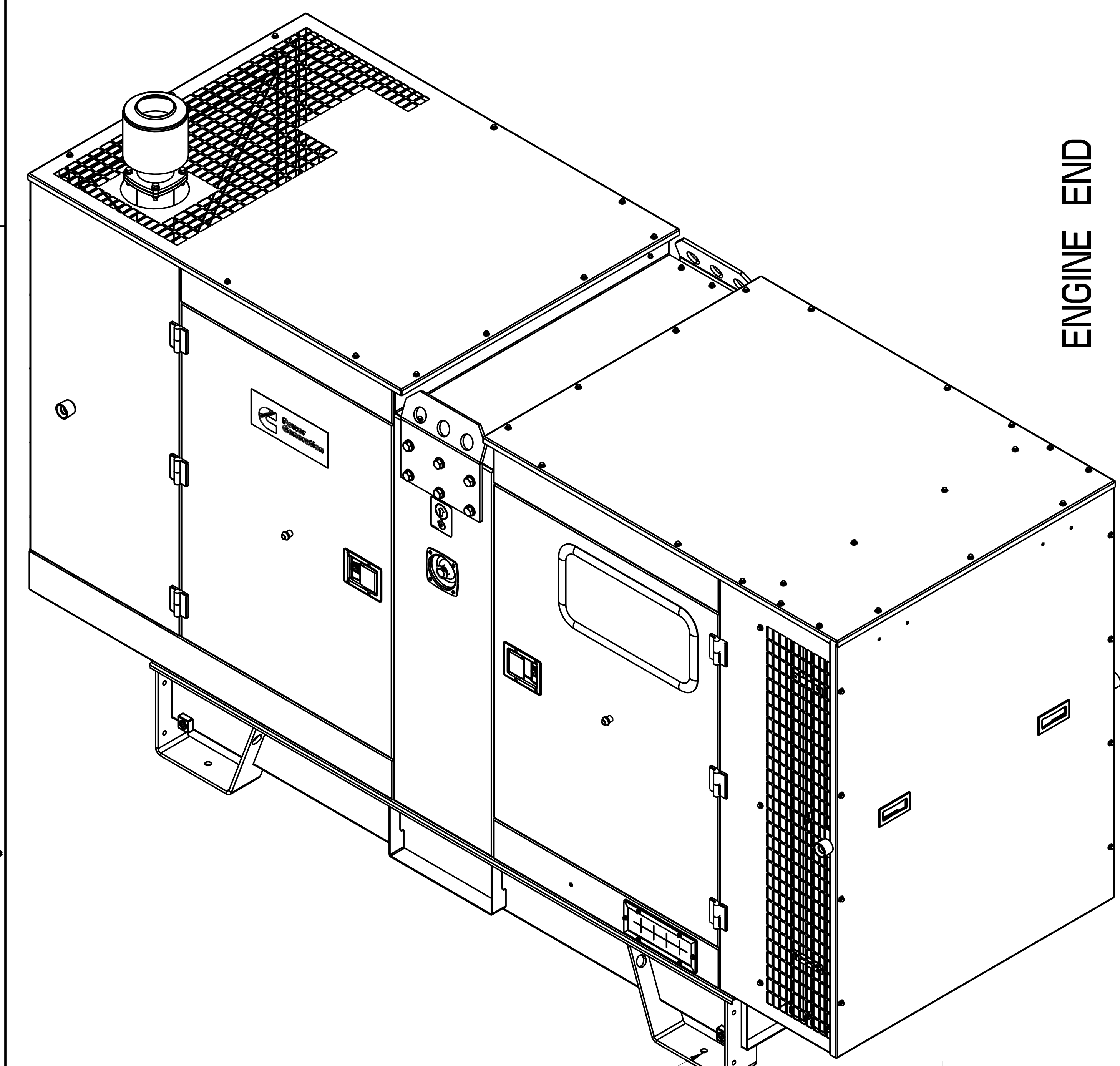
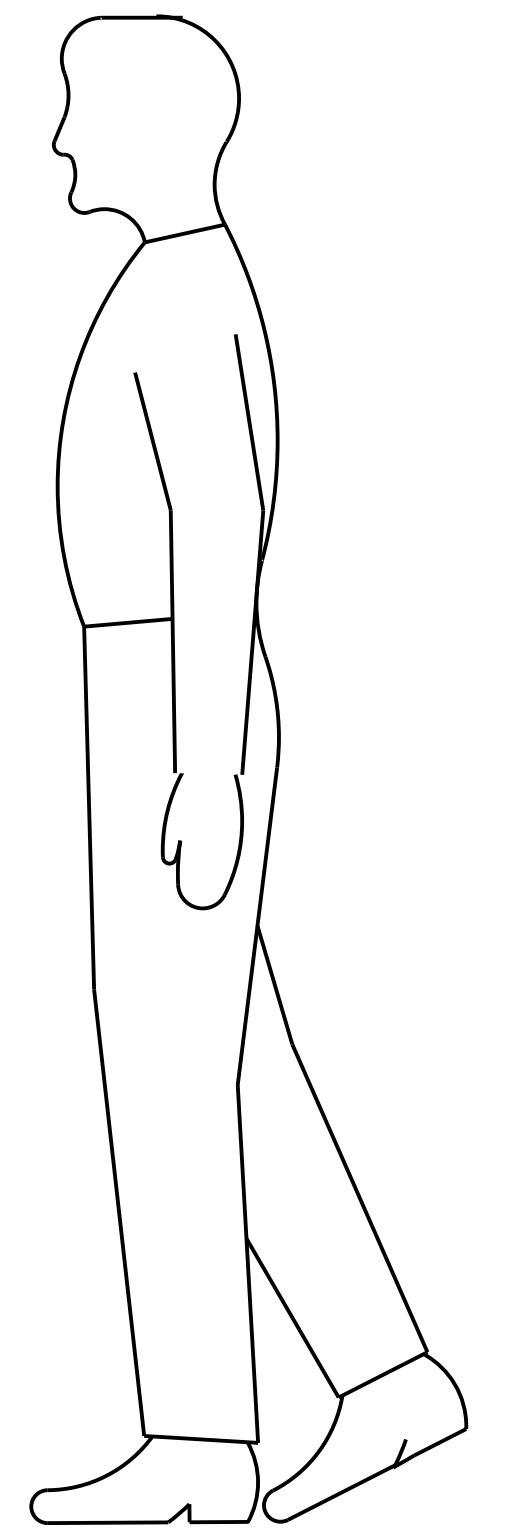
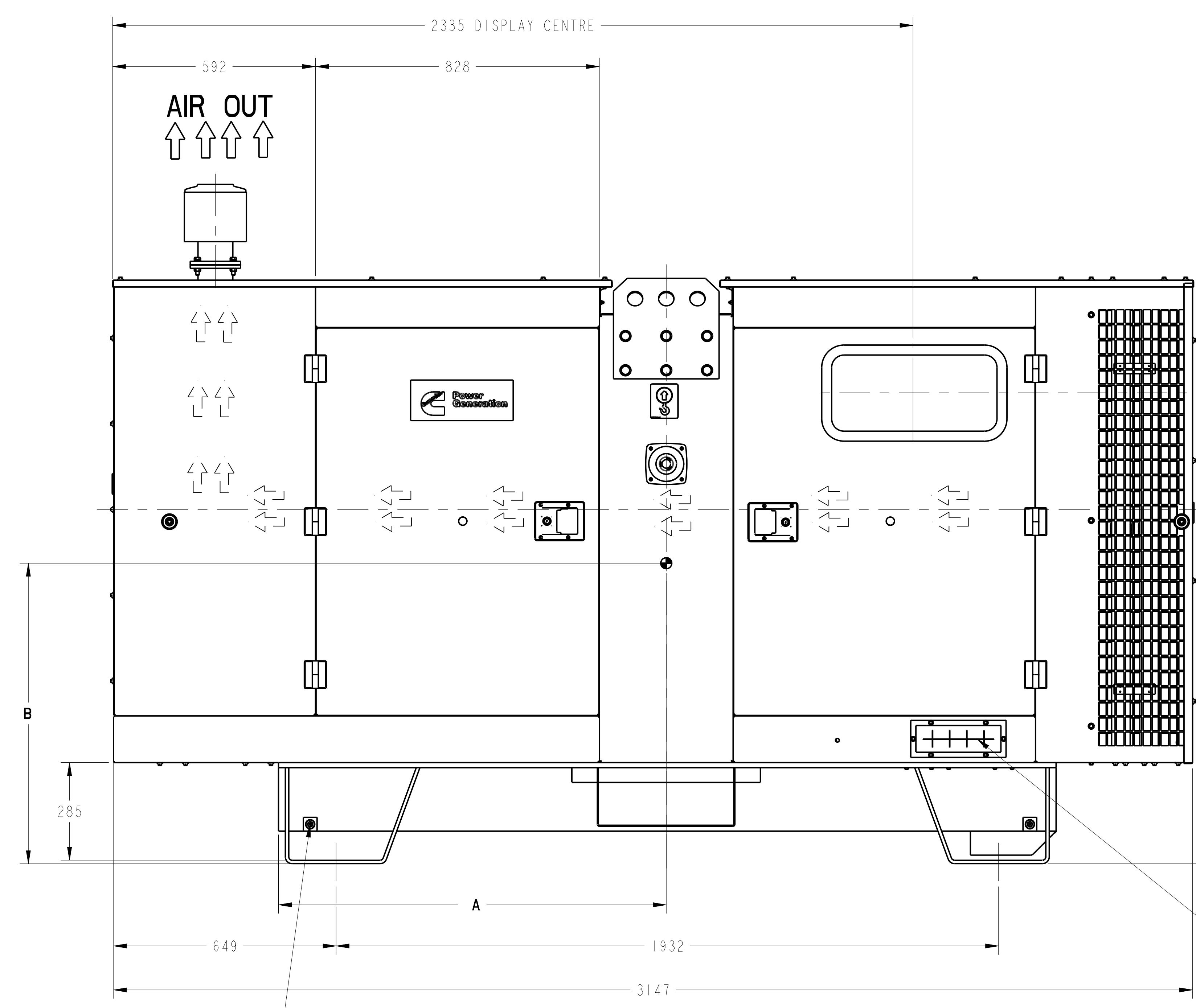
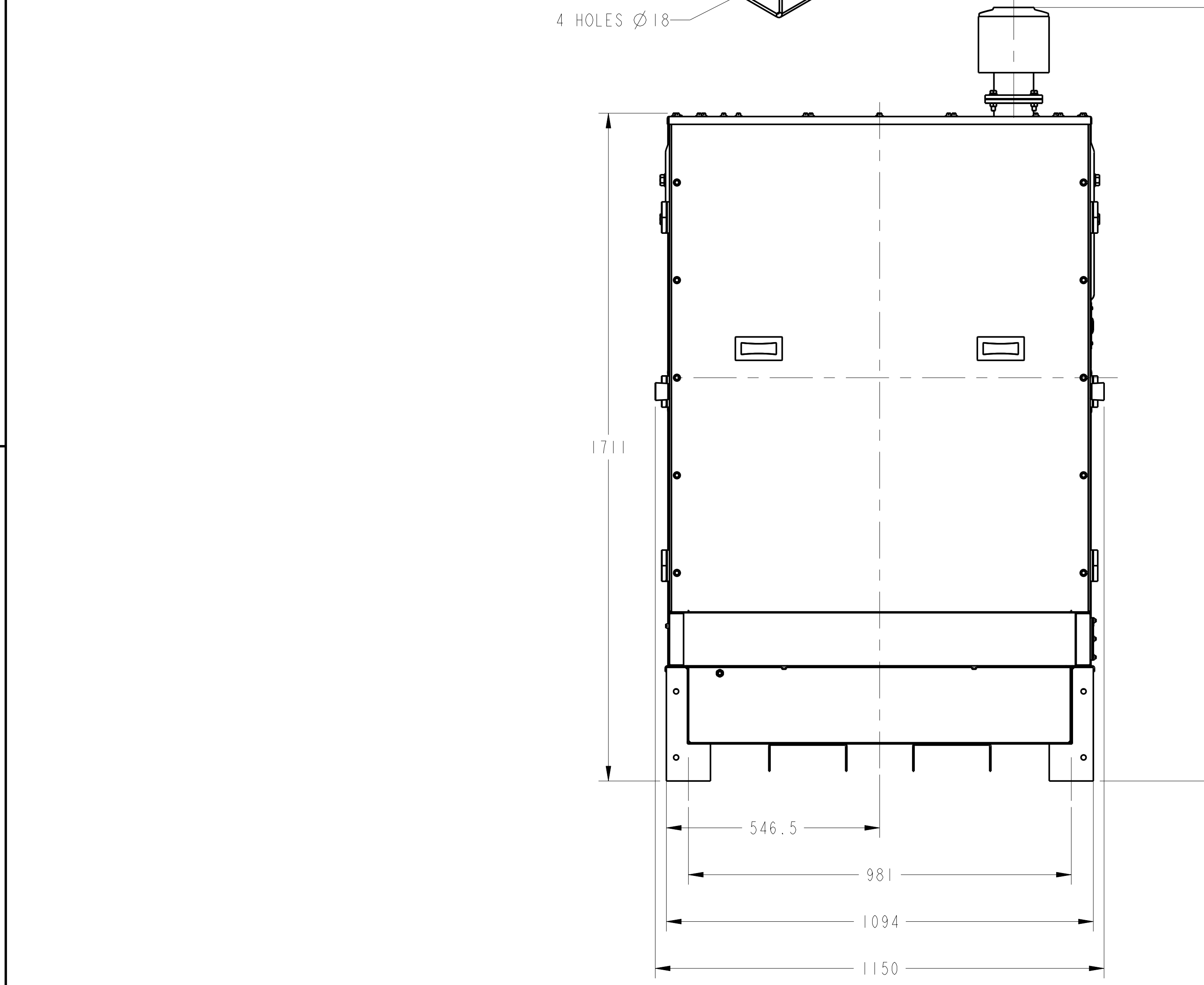


WEIGHT DATA (APPROX)						CG LOCATION	
S/N	GENSET MODEL	ENGINE MODEL	ALTERNATOR WEIGHT (Kg)	GENSET DRY WEIGHT (Kg)	GENSET WET WEIGHT (Kg)	DIM A	DIM B
1	C90D5	6BTA5.9-G5	UC1224G	1953	2253	1625.8	774
			UC1274C	1972	2272		
2	C110D5	6BTA5.9-G5	UC1274C	1972	2272	1630	760.9
			UC1274D	1996	2296		
3	C80D6	6BTA5.9-G6	UC1224G	1953	2679	1630	773.9
			UC1274C	1972	2272		
4	C110D6	6BTA5.9-G6	UC1274C	1972	2698	1645.9	772.3
			UC1274D	1996	2296		



NOTE:  
 1. ENCLOSURE OUTLINE WITH STANDARD SKID



UNLESS OTHERWISE SPECIFIED, ALL DIMENSIONS ARE IN MILLIMETERS		DW: U. DAGWALE		CUMMINS POWER GENERATION	
DO NOT SCALE PRINT		CAD: B. KULKARNI		OUTLINE, GENSET	
APVD: A. GADKARI		DATE: 14 SEP 11		ENCLOSED	
ANG TOL: ± 1.0°		SCALE: 1/8		SITE CODE	
CONFIDENTIAL		FOR INTERPRETATION FIRST USED ON		SHEET 1 OF 1	
PROPERTY OF CUMMINS POWER GENERATION GROUP		6B URJA		A035P116	