

Fubag

Электростанция сварочная
Welding power station

Operator's Manual

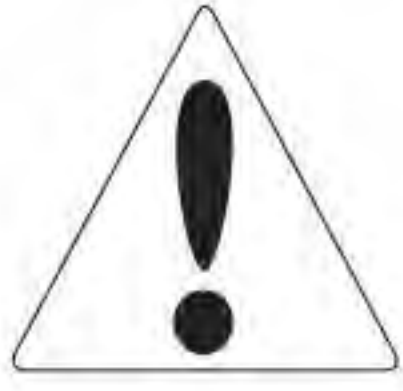
Инструкция по эксплуатации

WHS 200 AC

WHS 200 DC

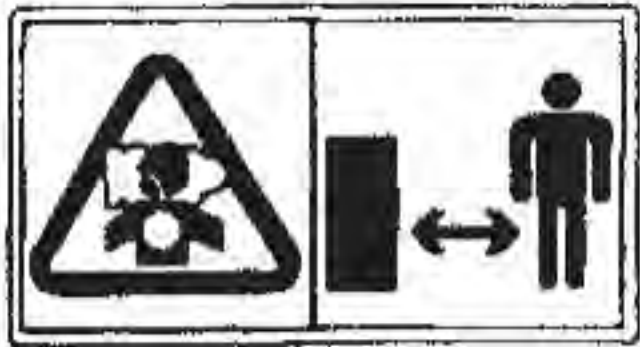
WHS 220 DDC



**WARNING! BEFORE USING THE MACHINE READ THE INSTRUCTION MANUAL CAREFULLY!**

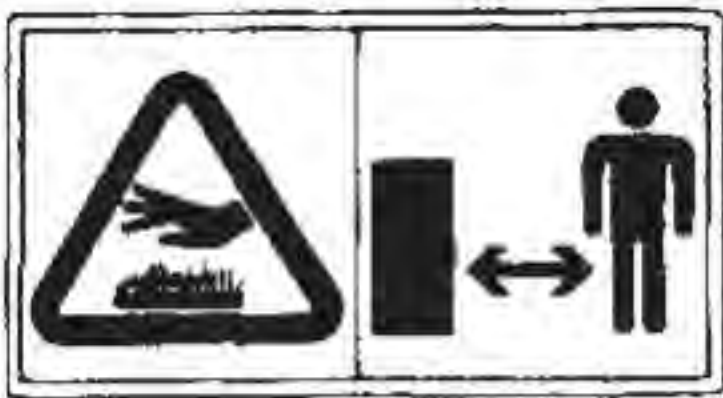
Our generators FUBAG are designed to give safe and dependable service if operated according to instructions.

Read and understand the manual before operating the generator FUBAG. Failure to do so could result in personal injury or equipment damage.

1. General safety**! WARNING!**

Exhaust gas contains poisonous carbon monoxide.

Never run the generator in an enclosed area. Be sure to provide adequate ventilation. When installed in ventilated protection are to be observed.

! WARNING!

The muffler becomes very hot during operation and remains hot for a while after stopping the engine.

Be careful not to touch the muffler while it is hot. Let the engine cool before storing the generator indoors. The engine exhaust system will be heated during operation and remain hot immediately after stopping the engine.

To prevent scalding, pay attention to the warning marks attached to the generator.

! WARNING!

Gasoline is extremely flammable and explosive under certain conditions. Refuel in a well ventilated area with the engine stopped.

Keep away from cigarette, smoke and sparks when refueling the generator. Always refuel in a well-ventilated location.

Wipe up spilled gasoline at once.

! WARNING!

Connections for standby power to a building's electrical system must be made by a qualified electrician and must comply with all applicable laws and electrical codes. Improper connections can allow electrical current from the generator to back feed into the utility lines. Such back feed may electrocute utility company workers or others who contact the lines during a power outage, and when utility power is restored, the generator may explode, burn or cause fires in the building's electrical system.

⚠ WARNING!

- Always make a pre-operation inspection before you start the engine. You may prevent an accident or equipment damage.

- Place the generator at least 5m away from buildings or other equipment during operation.
- Operate the generator on a level surface. If the generator is tilted, fuel spillage may result.
- Know how to stop the generator quickly and understand operation of all the controls. Never permit anyone to operate the generator without proper instructions.
- Keep children and pets away from the generator when it is in operation.
- Keep away from rotating parts while the generator is running.
- The generator is a potential source of electrical shocks when misused; do not operate with wet hands.
- Do not operate the generator in rain or snow and do not let it get wet.
- The power generator is a mains replacement that generates electrical power for supply to a mobile distribution system.
- The power generator must be operated outdoors within the prescribed voltage, output and rated speed limits (see type plate).
- The power generator must not be connected to other electrical supply systems or electric generation systems (e.g. other power generators).
- The power generator may not be used in environments where there is a risk of explosion.
- The power generator may not be used in environments where there is a risk of fire.
- The power generator must be operated in accordance with the conditions set out in the technical documentation.
- All improper use of the power generator including all uses not described in these instructions will constitute unauthorized incorrect usage for which the manufacturer is not legally liable.
- Operation in environments where there is a risk of explosion and fire.
- Operation in enclosed areas and under direct exposure to rain or snowfall.
- Operation without the requisite safety precautions and connected to existing supply network systems.
- Spraying with high-pressure cleaners or fire extinguishing equipment.
- Non-compliance with regular servicing requirements.
- Failure to carry out measurements and checks for early detection of defects.
- Know and apply the Prevention of Injury regulations and the safety instructions for the power generator.
- Understand and be able to practically implement the technical documentation.
- The operator must know the functions of, and be able to use, the components of the power generator.
- The operator must wear the appropriate personal safety equipment.
- The labelling on the electrical generator must be complete and maintained in a readable condition.
- Constructive changes may not be carried out on the electrical generator.
- The rated speed of the motor has been set during manufacture and may not be changed.
- The operating safety and correct functioning must be checked before and after each use.
- No naked flames, lights or spark-emitting appliances may be used within the hazard area of the power generator.
- Smoking within the hazard area of the power generator is strictly forbidden.
- During operation, the power generator must be protected from dirt and foreign matter.
- The power generator may only be transported when cold.
- The power generator may only be lifted using the carry handles intended for this purpose.
- The electrical safety must be checked before each operational use.
- The appliance may not be covered. The air intake may not be blocked or obstructed.
- When starting, the load may not be connected.
- Only certified and approved cables may be used for the wired network.
- The power drawn may not exceed the maximum rated power.

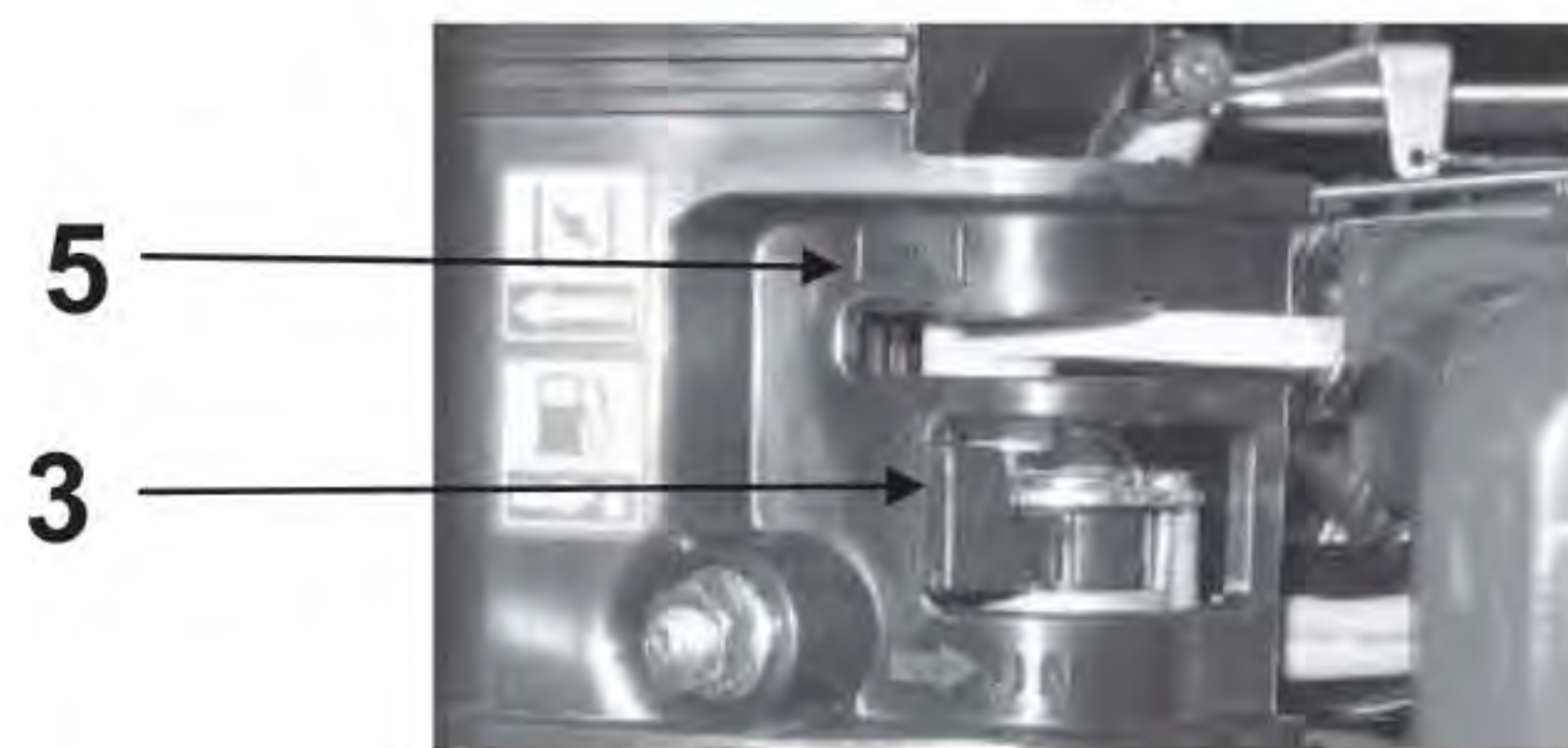
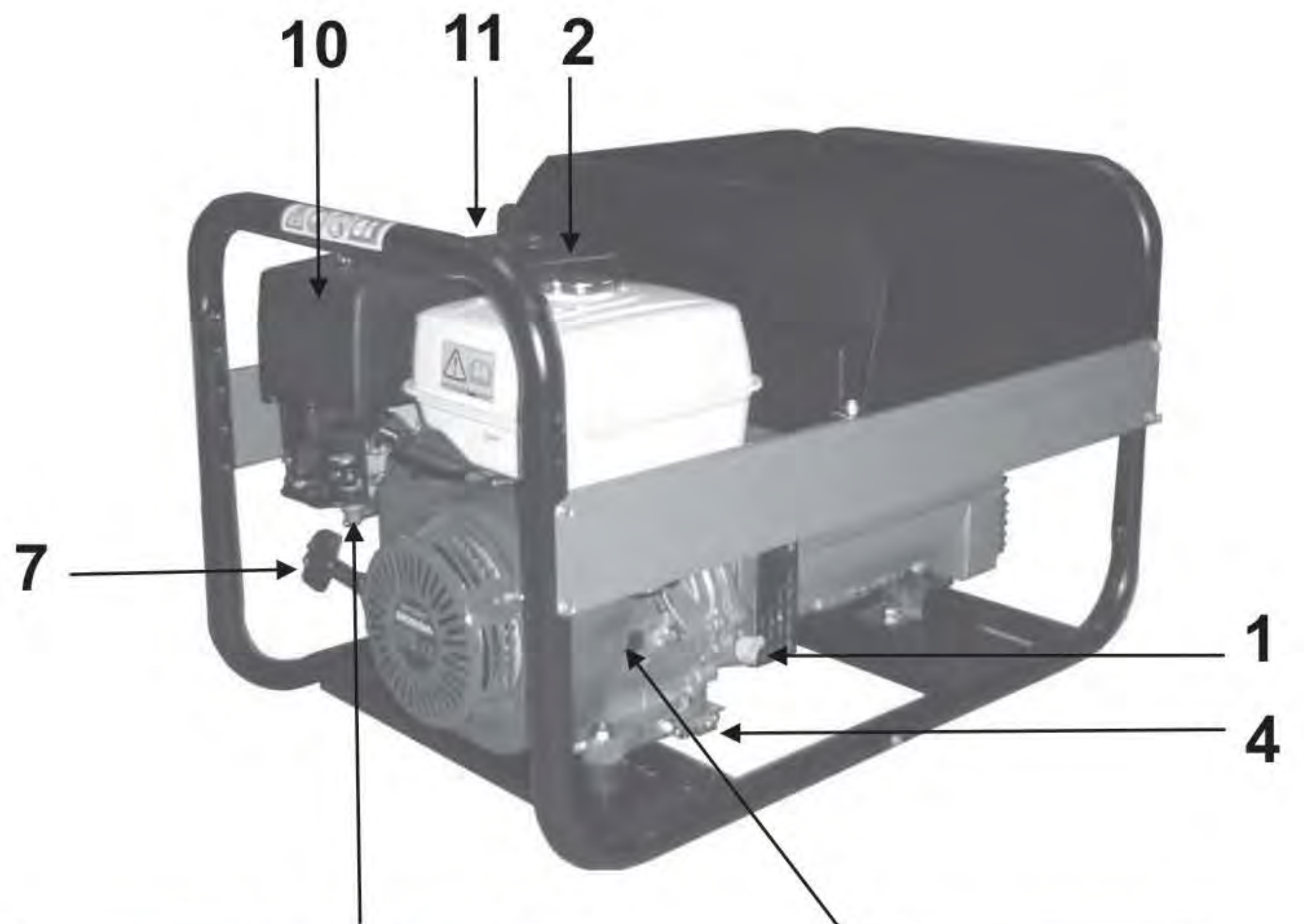
- The power generator may not be operated without the sound absorber.
- The power generator may not be operated without the air filter or with the air filter cover open.
- The generator's tank may not be refilled during operating.
- The tank may not be refilled when the power generator is hot.
- The power generator may not be cleaned and serviced when in operation; when hot.
- Always remove spark plug connector prior to commencing servicing and repair work.
- The power generator must be shut down when not required for periods longer than 30 days.
- The power generator must be stored in a dry enclosed room.

Safety welding operation

- No work of power station in a mode "welding" and "generator" is forbidden. Before carrying out of welding works disconnect all consumers from sockets.
- It is highly recommended always to follow the safety rules. Wear protective clothes and special means to avoid injuries to eyes and skins.
- Use the welding mask or special protective glasses while working with the welding machine. Only by viewing through the filter lens on the welding mask your eyes are secured by your operation.
- Prevent the sparks and spatter from harming your body.
- Under no circumstance allow any part of your body to touch the welder's output bipolarity (torch and work piece).
- Fumes and gases produced when welding are hazardous to health. Make sure to work in places where there are exhaust or ventilation facilities to keep fumes or emissions away from the breathing zone.
- Please remember to keep arc rays away from the other nearby people when welding. This is only due to the interference from arc rays.
- There will be high temperature when welding work piece, so please don't directly touch on it
- No welding for the container loaded inflammable or explosive materials.
- Welders possible have electromagnetism and frequency interference, so keep away people with heart pace or the articles which can be interfered by electromagnetism and frequency.
- Taking welder power for pipe unfreezing device will be prohibited.
- Check is needed from time to time to make sure the welding cable is in good condition if the welding machine is in frequent use. Check at least once each month if the welder is in regular use. It is necessary to check when the welder is in mobile use.
- Electrode must be taken down from holder when no welding.

2. Description

- 1. Oil filler plug
- 2. Fuel tank plug
- 3. Fuel tap
- 4. Earth connection
- 5. Choke
- 6. Ignition switch
- 7. Starting handle
- 8. Welding sockets
- 9. Electrical sockets
- 10. Air filter
- 11. Exhaust silencer



3. Specifications

Specifications\Model	WHS 200AC	WHS 200DC	WHS 220DDC
Rated voltage, V	230	230	400/230
Rated frequency, Hz	50	50	50
Max. output, kW	7	4	6,5/3,5
Max. current, A	30,4	17,4	9,4/15,2
Rated output, kW	4,8	3	4,8/3,5
Rated current, A	20,9	13	8,6/15,2
Cos phi	1		0,8
Electrical sockets	2x16A-2P+T		1x16A-2P+T 1x16A-3P+N+T
IP	IP23		
Motor	Honda GX390		
Motor type	single cylinder, gasoline engine, OHV		
Power, kW/hp	9,6/13		
Fuel	automotive unleaded gasoline		
Spark plug	NGK: BPR6ES		
Tank capacity, l	6,1	6,1	6,1
Oil tank capacity, l	1,1	1,1	1,1
Oil type	SAE 10W30		
Fuel consumption, L/h	2,5	2,5	2,5
Starting system	recoil starter		
Noise level, Lw(A)	103		
Weight (without fuel), kg	85	86	87
Dimension, mm	870x570x555	870x560x560	870x560x560
Welding specifications			
Welding current type	AC	DC	
Welding current, A	50-190	50-200	40-220
Rated no-load voltage, V	60	75	73
Rated duty dycle	35%		
Welding current of duty cycle 60%, A	180	170	
Min. electrode diameter, mm	1,6		
Max. electrode diameter, mm	4		5

The manufacturer reserves himself the right to make the manual's content or power generator function change without any preliminary notification of the users.

4. Putting the Power Generator into Operation

Operating conditions

Power stations provide steady work at ambient temperature from -15°C to +40°C, (gasoline and oil type should be picked up according to these conditions). Relative humidity <60%.

The stated outputs of the generating sets are obtained under the reference conditions outlined in ISO 8528-1(2005):

- Total barometric pressure: 100 Kpa
- Air ambient temperature: 25°C (298K)
- Relative humidity: 30%

Generating set performance is reduced by approximately 4% for every additional 10°C and/or approximately 1% for every additional 100m in altitude.

Positioning the generating set for operation

Place the generating set on a flat, horizontal surface which is firm enough to prevent the set sinking down (under no circumstances should the set tilt any direction by more than 10°).

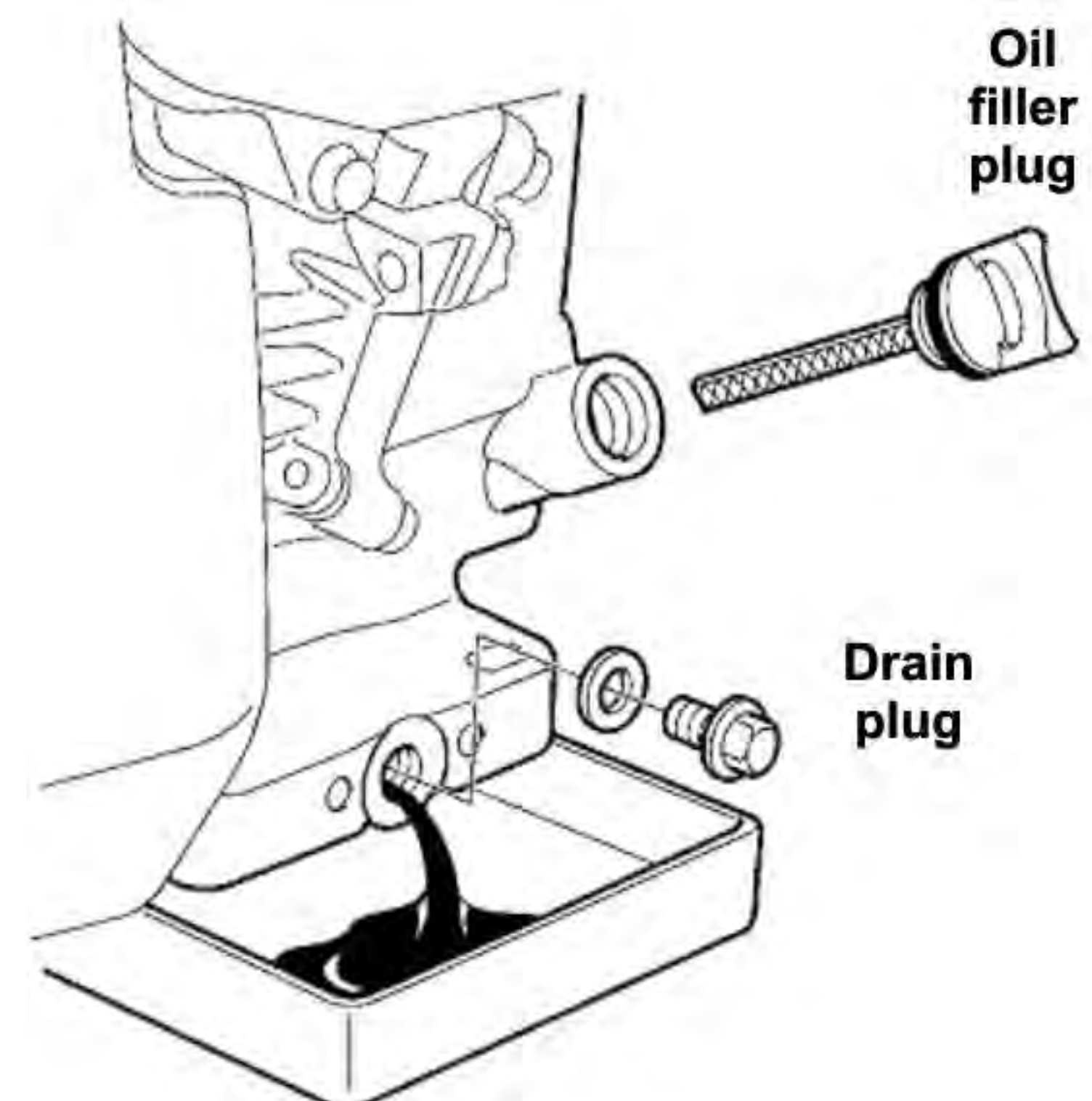
Choose a site that is clean, well-ventilated and sheltered from bad weather, and store the additional supplies of oil and fuel within close proximity, although respecting a certain distance for safety.

Earthing the generating set

To earth the generating set, use a 10 mm² copper wire attached to the generating set earth connection and to an earthing rod of galvanised steel set in the ground to a depth of 1 metre. This also dissipates the static electricity that builds up in the electrical machines.

Checking the oil level

- Remove the dipstick/plug on the exhaust side by unscrewing it, and wipe the dipstick.
- Insert the dipstick into the filler neck without screwing it in. A second plug, without a dipstick, is available if necessary on the other side of the engine.
- Check the level and top up if necessary. If it is necessary:
- Using a funnel, fill the engine oil sump right up to the top of the filler opening.
- Screw the plug fully back onto the filler tube.
- Check that there are no leaks.
- Wipe off excess oil with a clean cloth.



Checking the fuel level

Check the fuel level and top up if necessary:

- Unscrew the fuel tank cap.
- Fill the tank using a funnel, taking care not to spill petrol.
- Screw the cap back on to the fuel tank.



Only use clean fuel without any water. Do not overfill the tank (there should not be any fuel in the filler neck). When you have filled up, ensure that the tank cap is closed correctly.

Take care not to spill any fuel when filling the tank.

Before starting up the generating set, and if any fuel has been spilt, make sure that it has dried and that the vapours have cleared away.

5. Using the generator set

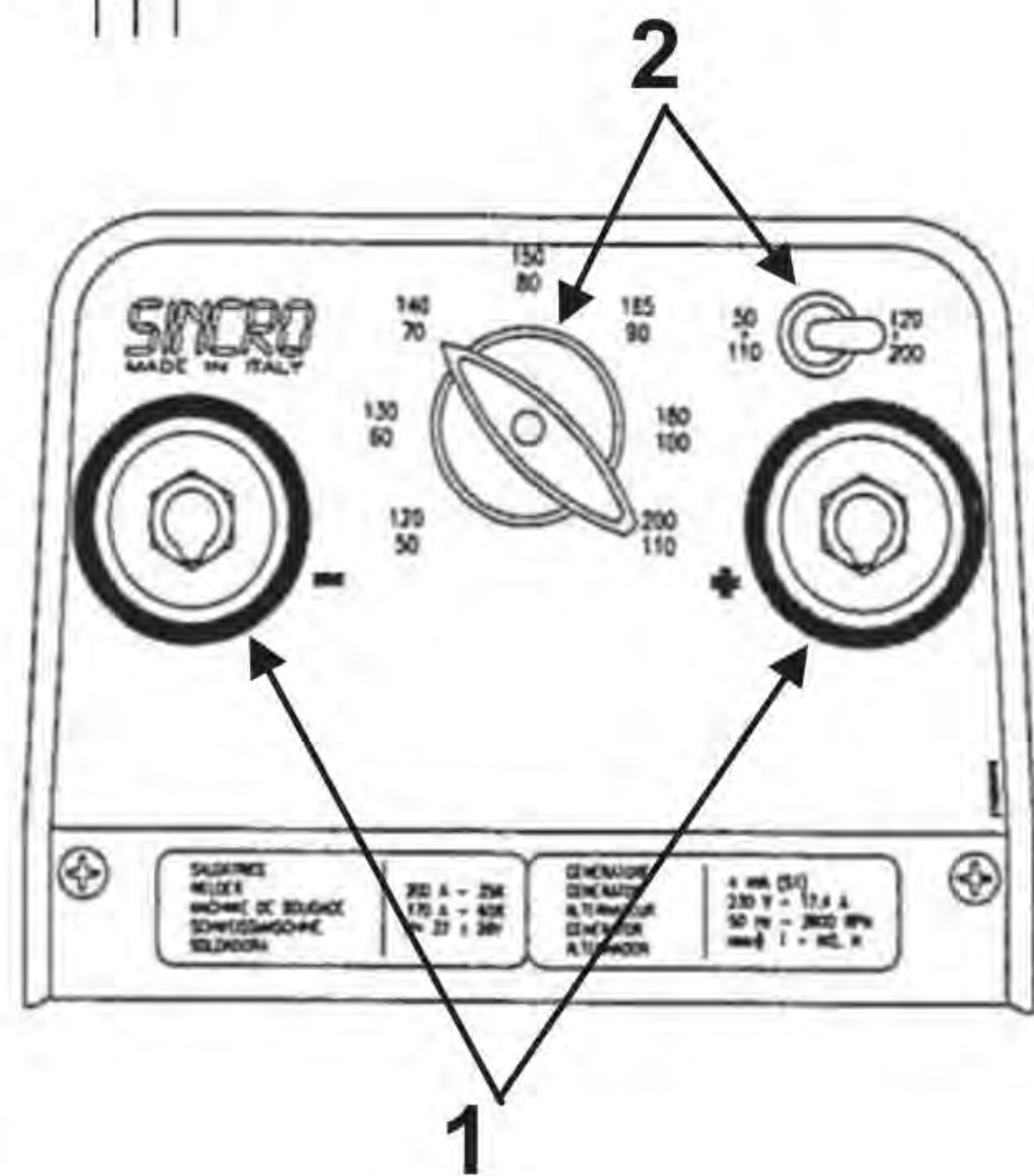
Operating conditions

1. Open the fuel tap by turning lever to the right.
 2. Move the choke knob to the closed position .
- Note:** Do not use the choke when the engine is warm or when the atmospheric temperature is high.
3. Move the engine switch to "ON" or "I".
 4. Hold starting handle correctly and pull it slowly until some resistance is felt, then let it return gradually.
 5. Take the starting handle again correctly, then pull the cord sharply and rapidly (pull it right out, using both hands if necessary). Allow the handle to return slowly by hand. If the engine has not started, repeat the procedure until the engine starts while gradually opening the choke.
 6. When the engine has started, gradually open the choke .

Welding instructions

No work of power station in a mode "welding" and "generator" is forbidden. Before carrying out of welding works disconnect all consumers from sockets.

1. Connect the (+) and (-) plugs into the sockets (1).
2. Select the required welding current using switches (2).



Operation

When the engine begins to heat up, gradually bring the knob of the choke to open position. When the running speed of the generating set has stabilised:

1. Check that circuit breaker is engaged.
2. Connect the plug(s) to the generating set socket(s).

Switching off

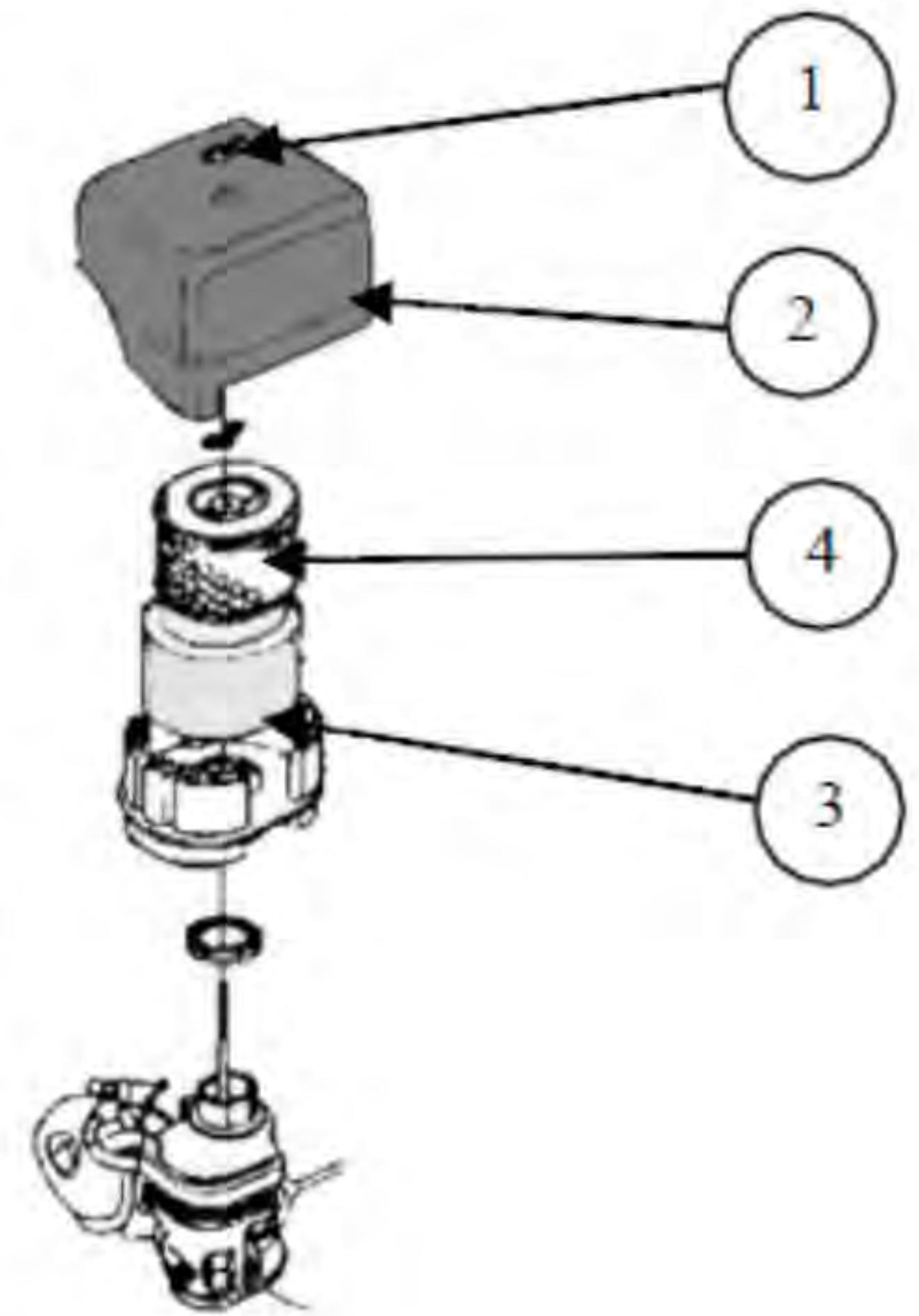
1. Take the plugs out of the sockets and allow the engine to run without any charge for 1 to 2 minutes.
2. Place the engine switch on "OFF" or "ON" and the set will stop.
3. Close the fuel tap.

6. Maintenance

- The maintenance interval frequency and the operations to be carried out are outlined in the maintenance programme.
 - However, it should be added that it is the environment in which the generating set is operating which determines this programme. Accordingly, if the set is used in extreme conditions, shorter intervals between maintenance procedures should be adopted.
- These maintenance schedules apply only to generating sets running on fuel and oil, that conform to the specifications given in this booklet.

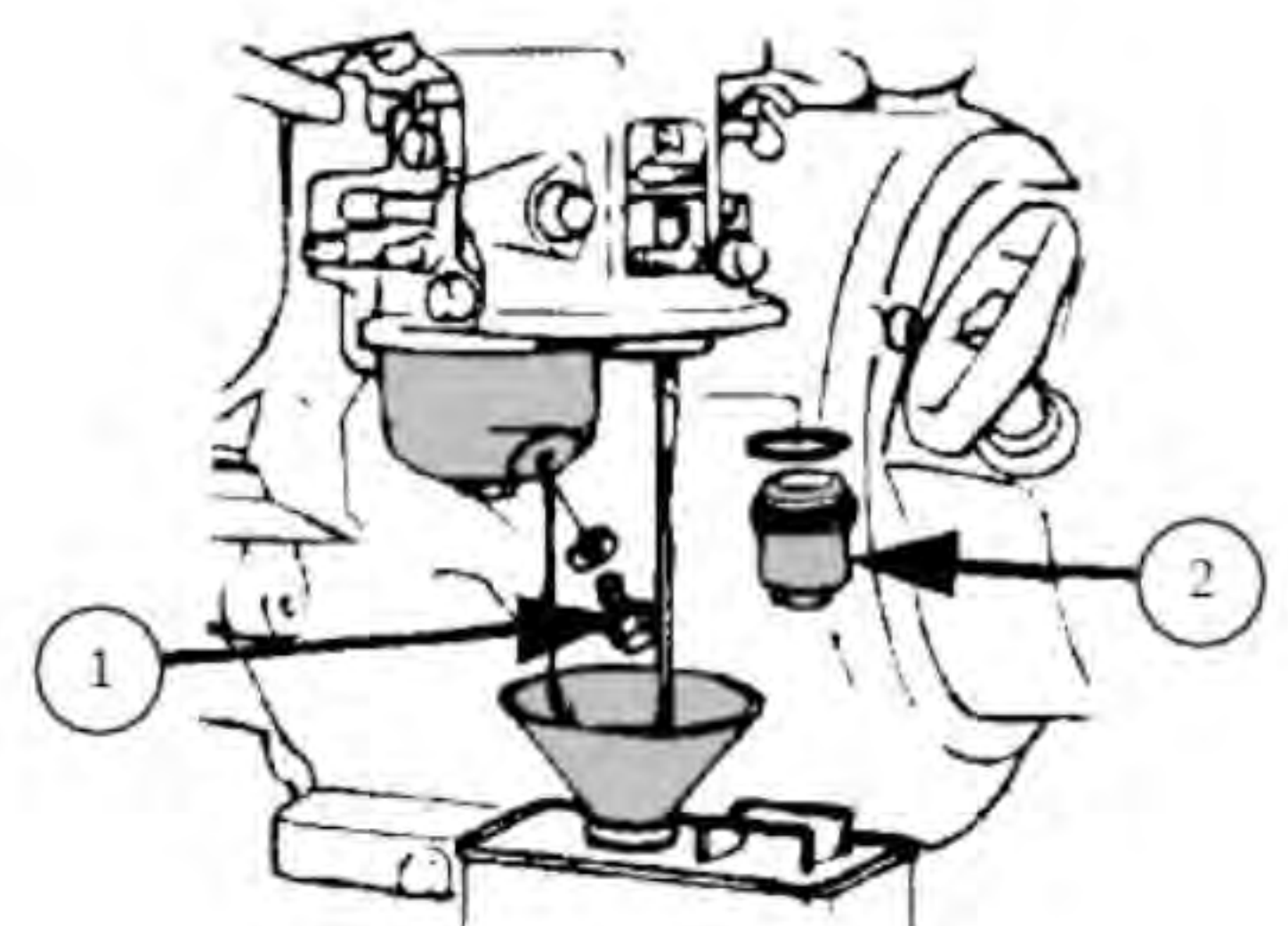
Cleaning the air filter

1. Remove the wing nut (no. 1) attaching the air filter cover (no. 2), then remove the latter.
2. Remove the wing nut attaching the filter.
3. Remove the assembly consisting of foam (no. 3) and paper (no. 4) elements, and separate them. Check carefully that the two elements are not torn or pierced. Replace them if they are damaged.
4. Wash the foam element in a solution of household cleaning product and warm water, then rinse thoroughly, or wash it in non-flammable solvent or solvent with a high flash point. Leave the element to dry fully. Soak the element in clean engine oil and remove the excess oil. The engine will smoke when it is started for the first time if too much oil remains in the foam.
5. Tap the paper element lightly several times on a hard surface to remove excess dirt, or send compressed air through the filter, from the inside outward. Never try to remove dirt using a brush. Replace the element if it is too dirty.
6. Carry out refitting following the reverse procedure to that used for removal.



Cleaning the sediment bowl

1. Close the fuel tap.
2. Position a suitable container and a funnel under the carburettor.
3. Unscrew the plug (no. 1) to drain the fuel.
4. After draining, refit the plug.
5. Remove the sediment bowl (no. 2) and the seal.
6. Wash the bowl with a non-flammable solvent or solvent with a high flash point. Dry it completely.
7. Refit the seal and the bowl.
8. Open the fuel tap and check that there are no leaks.



Renewing the motor oil

Drain the oil when the engine is still warm, to ensure that drainage is rapid and complete.

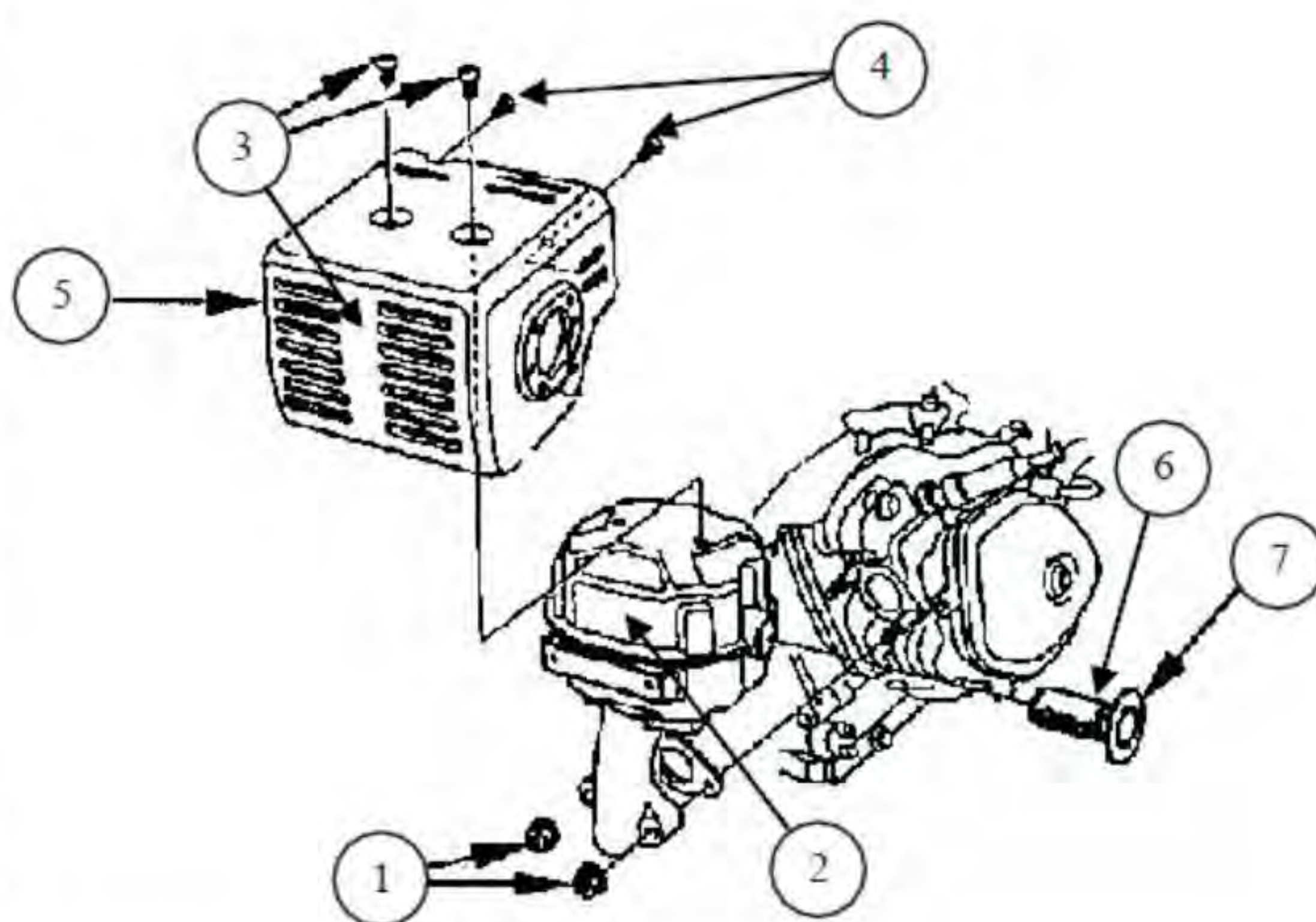
1. Place an appropriate container under the drain plug, remove the dipstick/filler plug and the drain plug.
2. On completion, screw in and tighten the drain plug.
3. Fill the engine oil sump with the recommended oil, then check the level.
4. Reposition the dipstick/filler plug and tighten.
5. After filling, check that there are no oil leaks.
6. Wipe off any trace of oil with a clean cloth.

Cleaning the spark arrester

1. Loosen the three mounting bolts (no. 1 & 2) from the exhaust silencer (no. 3), then remove the latter.
2. Loosen the four bolts (no. 4 & 5) holding the silencer guard (no. 6) and then remove silencer guard.
3. Remove the mounting bolt (no. 7) from spark arrester and place it down.
4. Using a wire brush, remove the carbon deposits from the spark arrester screen.

Note: The spark arrester must have no holes or cracks. Replace if necessary.

5. Refit the spark arrester, the guard and the exhaust silencer in the reverse order to removal.



Checking the spark plug

1. Remove the spark plug cap and use a spark plug spanner to remove the spark plug.
2. Visually inspect the spark plug and discard it if the electrodes are worn or if the insulation is split or chipped. If it is to be re-used, clean the spark plug with a wire brush.
3. Measure the electrode gap with a feeler gauge. The electrode gap should be from 0,7 to 0,8 mm. Check that the spark plug washer is in good condition and screw the spark plug in by hand, in order to avoid damaging the threads.
4. After fitting the spark plug, tighten it with a spark plug spanner to secure the washer.



0,7-0,8mm



Note: when fitting a new spark plug, tighten it by 1/2 turn after it is in place, in order to press the washer tightly. For the installation of an old spark plug, tighten it by a 1/8–1/4 turn after it is in place, in order to press the washer tightly.

Checking bolts, nuts and screws

Daily, detailed checks of all nuts, bolts and screws are essential in order to prevent any accidents or breakdowns.

1. Inspect the generating set as a whole before and after each use.
2. Tighten any loose nuts or screws.

Note: the tightening of cylinder head bolts should be carried out by a specialist. Contact your local agent.

Cleaning the generating set

1. Remove all dust and debris from around the exhaust and clean the generating set using a cloth and a brush (cleaning with a water jet is not recommended, and cleaning with high-pressure cleaning equipment is forbidden).
2. Carefully clean the motor air inlets and outlets and the alternator.
3. Check the general condition of the generating set and, if necessary, replace any faulty parts.

Component	Procedures to be carried out	Each time it is used	After this: the first 20 hours	Every: 3 months or Every 50 hours	6 months or Every 100 hours	12 months or Every 300 hours
Fixings	Check the tightness	•				
Engine oil	Check the level	•				
	Change		•		•	
Air filter	Check	•				
	Clean*			•		
Sediment bowl	Clean				•	
Spark plugs	Check - Clean				•	
Generating set	Clean				•	
Spark arrester	Clean				•	
Valves	Check**					•
Fuel tank	Clean**					•
Fuel line	Replace **	Every 2 years				

* Perform air filter maintenance more frequently if the generating set is used in dusty locations.

** Operation(s) must only be carried out by one of our agents.

Under occasional heavy use, change the oil at least every year.

7. Storing the generating set

Certain operations must be carried out on generating sets which are to remain unused for a long period of time, in order to keep them in good condition. Check that the storage area is not dusty or humid. Clean the exterior of the generating set and apply a rustproofing product.

1. Close the fuel tap (OFF position), remove the sediment bowl and drain it.
2. Open the fuel tap (ON position) and drain the petrol from the tank into a suitable container.
3. Refit the sediment bowl and tighten fully.
4. Drain the carburettor by loosening the drain screw. Collect the petrol in a suitable container.
5. Change the engine oil.
6. Remove the spark plug and pour approximately 15 ml of oil into the cylinder, then refit the spark plug.
7. Turn the engine over without starting it to distribute the oil in the cylinder.
8. Clean the generating set and cover the engine again to protect it from dust.
9. Store the generating set in a clean, dry place.

8. Trouble Shooting

FAULT	CAUSE	REMEDY
The engine will not start	The generating set is under load during start-up	Remove the load
	Fuel level too low	Fill up with fuel
	The fuel tap is closed	Open the tap
	Fuel supply blocked or leaking	Have the system repaired
	The air filter is clogged	Clean the air filter
	The engine switch is positioned at OFF	Move the switch to ON
	Faulty spark plug	Replace the spark plug
The engine cuts out	Low oil	Check the engine oil level and top up.
No electric current	Circuit breaker tripped	Reset the circuit breaker
	Faulty female socket	Have it checked, repaired or replaced
	Faulty appliance supply lead	Replace the lead
	Faulty alternator	Have it checked, repaired or replaced
Circuit breaker tripped	Faulty lead or equipment	Have it checked, repaired or replaced
	Possible overload	Check the load

9. Warranty

Warranty refer to defects of materials and components and do not refer to components subject to natural wear and maintenance work.

Only machines cleaned from dust and dirt in original factory packing fully completed, provided with instruction manual, warranty card with fixed sales date with a shop stamp factory serial number and originals of sales and ware receipt issued by salesman are subjects of warranty. Within the warranty period the service center eliminate free of charge all detected production defects. The manufacturer disclaims warranty and legal responsibilities if nonobservance of the instruction manual by user, unqualified disassembling repair or maintenance of the machine as well does not bear responsibility for caused injury to persons or damages.

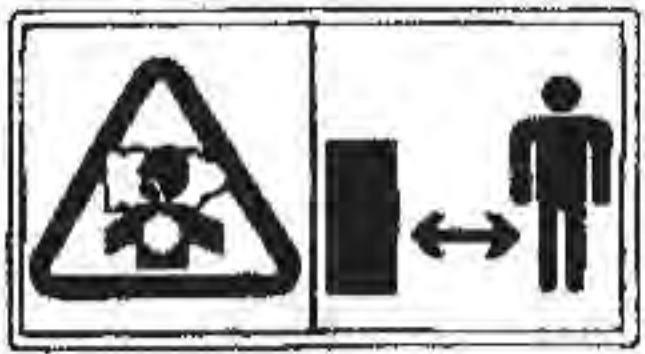


ВНИМАНИЕ! ПЕРЕД ИСПОЛЬЗОВАНИЕМ ЭЛЕКТРОСТАНЦИИ ВНИМАТЕЛЬНО ОЗНАКОМЬТЕСЬ С ДАННОЙ ИНСТРУКЦИЕЙ.

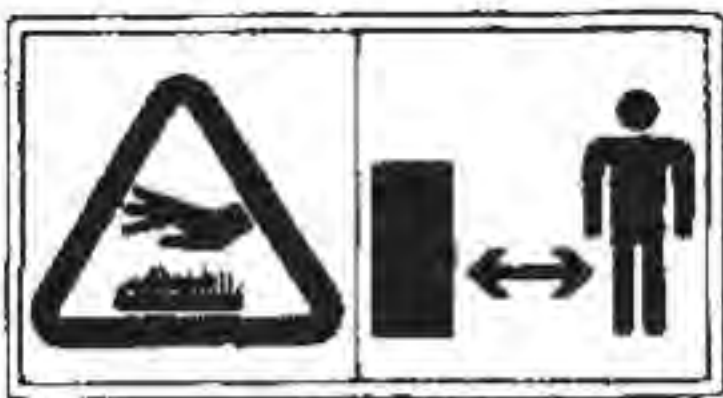
К использованию и обслуживанию электростанции допускается только квалифицированный и специально обученный персонал, ознакомленный с данной инструкцией.

В этой инструкции содержится описание, правила безопасности и вся необходимая информация для правильной эксплуатации электростанции FUBAG. Сохраняйте данную инструкцию и обращайтесь к ней при возникновении вопросов по безопасной эксплуатации, обслуживанию, хранению и транспортировке электростанции FUBAG.

1. Правила безопасности



Выхлопы содержат вредный угарный газ. Никогда не эксплуатируйте электростанцию в закрытом помещении. Перед включением убедитесь, что обеспечена хорошая вентиляция. При установке в хорошо проветриваемых зонах обращайтесь на обеспечение безопасности.



При работе электростанции глушитель становится очень горячим и остывает некоторое время после ее выключения. Будьте внимательны и не дотрагивайтесь до глушителя, пока он горячий. Дайте двигателю остыть до того, как поставить его на хранение в помещение.

Выхлопная система двигателя будет нагреваться при работе и останется горячей некоторое время после выключения двигателя.

Для предотвращения ожогов обращайтесь внимание на предупредительные наклейки на электростанции.



Бензин является легко воспламеняемым и взрывоопасным веществом. Осуществляйте заправку электростанции топливом только в хорошо проветриваемых зонах при выключенном и остывшем двигателе. Поблизости не должно быть курящих, источника искр и дыма. Всегда заправляйте электростанцию в хорошо проветриваемом месте. Пролитый бензин необходимо сразу удалить.



Подсоединение электростанции к электросистеме должно осуществляться только квалифицированным электриком и должно соответствовать всем электротехническим правилам и нормам. Неправильное подсоединение к системе может стать причиной выхода из строя электрогенератора, неисправности электросети и подключенных к ней электроприборов, а также привести к поражению электричеством людей.



- Всегда проводите предэксплуатационный осмотр электростанции до запуска двигателя. Вы можете предотвратить аварию или повреждение оборудования.

- При работе размещайте электростанцию на расстояние не менее 5м от зданий/стен или другого оборудования.
- Во время работы электростанция должна стоять на горизонтальной поверхности.
- Внимательно изучите и запомните параграфы инструкции, касающиеся остановки электростанции, и органов управления. Не допускайте к работе с электростанцией лиц, не ознакомившихся с инструкцией.
- Не допускайте к работающей электростанции детей и домашних животных.
- Электростанция является источником электрического тока и при неправильной эксплуатации может стать причиной поражения электрическим током. Не осуществляйте эксплуатацию электростанции мокрыми руками и при большой влажности.
- Не эксплуатируйте электростанцию в дождь или снег и не допускайте попадания на нее влаги.
- Лицам, работающим с электростанцией, необходимо знать его устройство, функции его элементов и уметь их использовать.
- Работающие с электростанцией несут ответственность за безопасность его эксплуатации.
- Работающие с электростанцией несут ответственность за то, чтобы к нему не допускались лица, не имеющие соответствующей квалификации.
- Работающие с электростанцией обязаны использовать защитное снаряжение.
- На корпусе электростанции должны присутствовать и быть легко читаемыми все обозначения.
- Любые изменения конструкции электростанции запрещаются. Запрещается изменять частоту вращения двигателя, установленную заводом-производителем.
- Перед каждым запуском и после него следует проверять безопасность и исправность прибора.
- Электростанцию можно использовать только вне закрытых помещений.
- Вблизи электростанции необходимо остерегаться открытого огня и искр. Курение вблизи электростанции строго запрещается.
- Электростанцию необходимо защищать от попадания в нее грязи и инородных предметов.
- Электростанцию разрешается транспортировать только в охлажденном состоянии.
- Электростанцию разрешается перевозить, только если она надёжно зафиксирована и не может опрокинуться.
- Перед каждым запуском необходимо проверить электробезопасность.
- Запрещается использовать средства для облегчения запуска.
- Подключать потребители электроэнергии можно только после запуска и прогрева двигателя.
- Необходимо использовать только качественные и исправные соединительные провода.
- Общая мощность подключаемых потребителей, по активной нагрузке, не должна превышать номинальной расчетной мощности электростанции. Общая мощность подключаемых потребителей, по индуктивной нагрузке, не должна превышать 0,5 от номинальной мощности электростанции.
- Запрещается использовать электростанцию без глушителя, воздушного фильтра или при открытой крышке воздушного фильтра
- Запрещается производить заправку электростанции во время работы. Запрещается производить заправку не остывшей электростанции. Используйте при заправке воронку.
- Запрещается производить чистку электростанции во время работы. Запрещается производить чистку ещё не остывшей электростанции.
- Запрещается обслуживать электростанцию во время работы. Запрещается обслуживать не остывшую электростанцию.

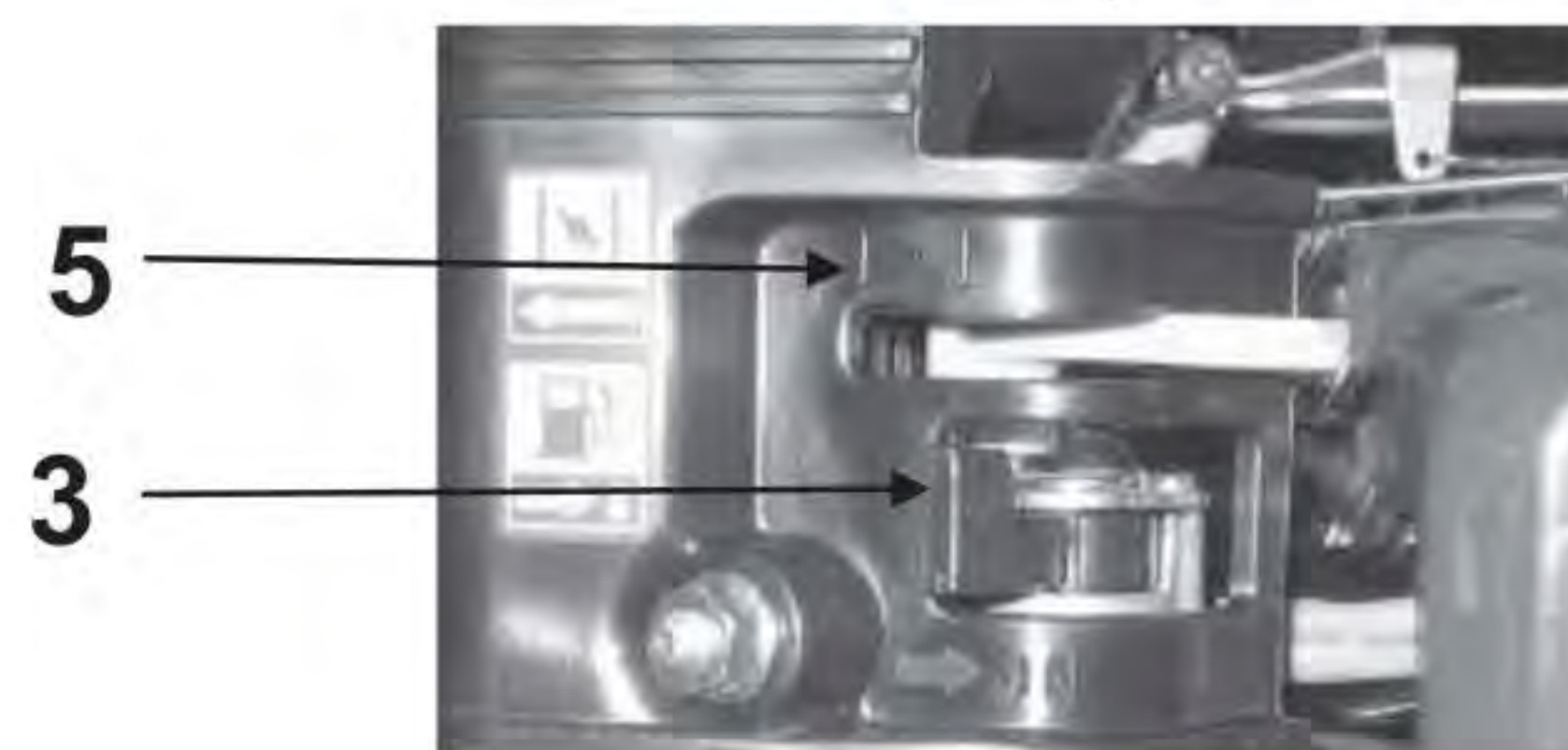
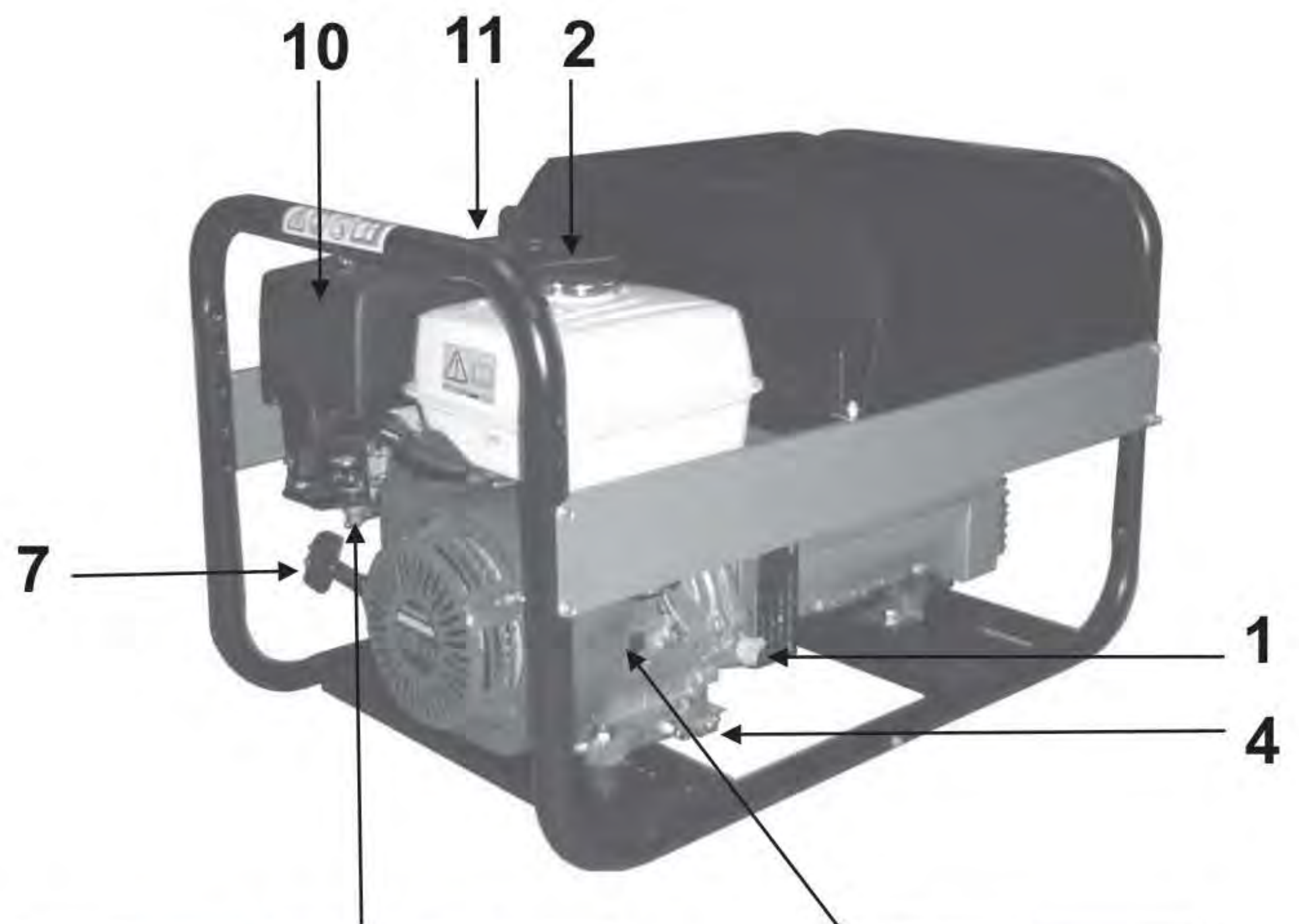
- Обслуживающему персоналу разрешается производить только те работы по обслуживанию электростанции, которые описаны в данном руководстве. Любые другие работы разрешается проводить только специалистам сервисной службы.
- Перед началом работ по обслуживанию и ремонту обязательно снимайте колпачок свечи зажигания.
- Соблюдайте интервалы технического обслуживания, указанные в руководстве.
- Консервируйте электростанцию, если им не пользуются более 30 дней.
- Храните электростанцию в сухом и закрытом помещении.

Меры безопасности при сварочных работах.

- Запрещается одновременная работа электростанции в режиме "сварка" и "генератор". Перед проведением сварочных работ отсоедините всех потребителей от розеток.
- Всегда надевайте защитную маску во время работы сварочным аппаратом или используйте очки с защитным затемненным стеклом.
- Старайтесь, чтобы искры и брызги не попали на тело.
- Избегайте контактов с открытыми токоведущими кабелями сварочного аппарата, не прикасайтесь к электрододержателю/горелке и свариваемой поверхности.
- Дым и газ, которые попадают в воздух при сварке, опасны для здоровья. Перед началом работ убедитесь, что вытяжка и вентиляция исправно работают.
- Убедитесь, что излучение дуги не попадет на других людей, находящихся поблизости от места сварки.
- Помните, что при сварке температура обрабатываемой поверхности повышается, поэтому старайтесь не прикасаться к обрабатываемым деталям во избежание ожогов.
- Никогда не производите сварку емкостей, в которых могут содержаться легковоспламеняющиеся или взрывоопасные материалы.
- Сварочные аппараты излучают электромагнитные волны и создают помехи для радиочастот, поэтому следите за тем, чтобы в непосредственной близости от аппарата не было людей, которые используют стимулятор сердца или другие принадлежности, для которых электромагнитные волны и радиочастоты создают помехи.
- Запрещено использовать сварочный аппарат для размораживания труб.
- Время от времени следует проверять состояние сварочного кабеля. Если аппарат используется регулярно, его следует проверять не менее одного раза в месяц.
- Если аппарат не эксплуатируется, электрод следует вынимать из держателя.

2. Описание

1. Пробка-щуп горловины для заправки маслом
2. Пробка заливной горловины топливного бака
3. Топливный кран
4. Гнездо заземления
5. Рукоятка воздушной заслонки
6. Выключатель двигателя
7. Рукоятка стартера
8. Разъемы подключения сварочных кабелей
9. Электрические розетки
10. Воздушный фильтр
11. Глушитель системы выпуска отработавших газов



3. Технические характеристики

Параметр\Модель	WHS 200AC	WHS 200DC	WHS 220DDC
Номинальное напряжение, В	230	230	400/230
Частота, Гц	50	50	50
Максимальная мощность, кВт	7	4	6,5/3,5
Максимальный ток, А	30,4	17,4	9,4/15,2
Номинальная мощность, кВт	4,8	3	4,8/3,5
Номинальный ток, А	20,9	13	8,6/15,2
Коэффициент мощности, cos φ	1		0,8
Количество/тип розеток на панели	2x16A-2P+T		1x16A-2P+T 1x16A-3P+N+T
Класс защиты	IP23		
Модель двигателя	Honda GX390		
Тип двигателя	Бензиновый, 1 цилиндровый, OHV		
Мощность двигателя, кВт/л.с	9,6/13		
Топливо	Автомобильный бензин А-92		
Тип свечи	NGK: BPR6ES		
Объем топливного бака, л	6,1	6,1	6,1
Объем масляного картера, л	1,1	1,1	1,1
Тип масла	SAE 10W30		
Расход топлива, л/час	2,5	2,5	2,5
Тип стартера	ручной		
Уровень акустического давления, Lw(A)	103		
Вес (без топлива), кг	85	86	87
Габаритные размеры, мм	870x570x555	870x560x560	870x560x560
Сварочные характеристики			
Род сварочного тока	Переменный AC	Постоянный DC	
Диапазон регулировки сварочного тока, А	50-190	50-200	40-220
Напряжение холостого хода, В	60	75	73
ПВ на максимальном сварочном токе	35%		
Сварочный ток при ПВ=60%, А	180	170	
Минимальный диаметр электрода, мм	1,6		
Максимальный диаметр электрода, мм	4		5

Производитель имеет право вносить изменения, как в содержание данной инструкции, так и в конструкцию электростанции без предварительного уведомления пользователей.

4. Ввод в эксплуатацию

Условия эксплуатации

Электростанции обеспечивают устойчивую работу при температуре окружающей среды от -15°C до +40°C, (тип бензина и масла должны быть подобраны в соответствии с этими условиями). Относительная влажность: <60%

Заявленные характеристики генераторных установок получены в контрольных условиях в соответствии со стандартом ISO 8528-1(2005):

- Общее атмосферное давление: 100 кПа
- Температура окружающего воздуха: 25°C (298 К)
- Относительная влажность: 30%

Характеристики генераторной установки снижаются на 4 % при увеличении температуры на каждые 10°C и/или примерно на 1% при увеличении высоты над уровнем моря на каждые 100 метров.

Место эксплуатации

Выберите чистое, хорошо проветриваемое и защищенное от неблагоприятного атмосферного воздействия место. Установите генераторную установку на ровную горизонтальную площадку, достаточно прочную, чтобы выдержать вес установки (наклон установки во всех направлениях не должен превышать 10°).

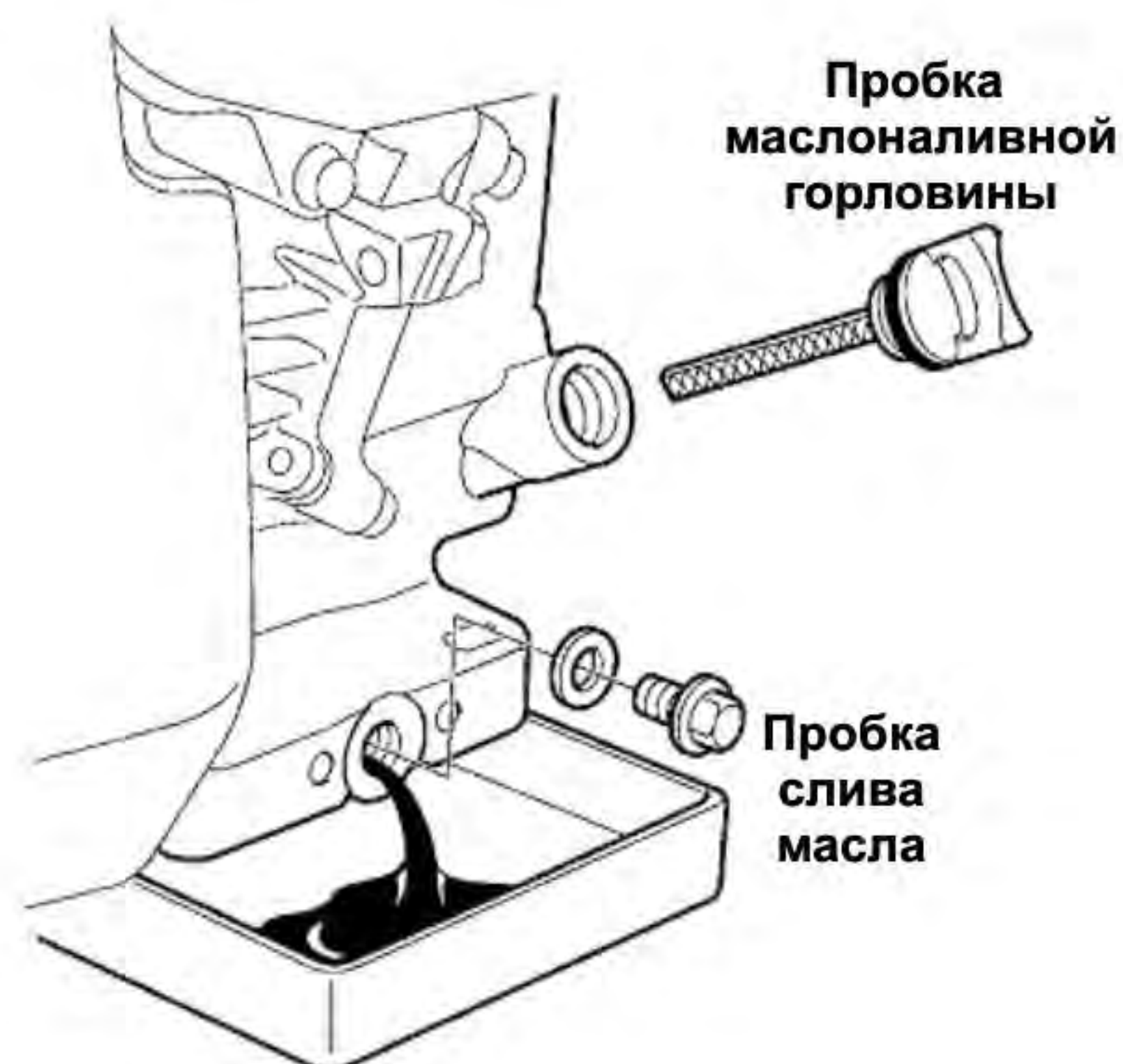
Заземление генераторной установки

Для заземления генераторной установки используйте медный провод сечением 10 мм², который следует соединить с точкой заземления установки и со штырем заземления из оцинкованной стали, углубленным на 1 метр в землю.

Заземление позволяет также снять статический разряд, образующийся при работе электрического оборудования.

Проверка уровня масла

- Отверните пробку маслоналивной горловины.
- Проверьте уровень масла. Уровень должен находиться выше середины по масломерному щупу.
- Добавьте масло при необходимости.
- Заверните пробку маслоналивной горловины.
- Удалите подтеки масла чистой тканью.



Проверка уровня топлива

Отверните пробку топливного бака и проверьте уровень топлива. При необходимости, долейте топливо в следующем порядке:

- Закройте топливный кран.
- Заполните бак при помощи воронки, стараясь не пролить топливо.
- Заверните пробку топливного бака.

Используйте только чистое топливо без примеси воды. Не переполняйте топливный бак (внутри заправочной горловины не должно быть топлива).

По окончании заправки убедитесь, что пробка заливной горловины топливного бака правильно закрыта. Если было пролито топливо, то прежде чем включать установку, убедитесь, что топливо высохло и его пары испарились.

5. Эксплуатация

Запуск

1. Убедитесь в том, что генераторная установка надежно заземлена.
2. Откройте топливный кран.
3. Закройте воздушную заслонку, переведя рукоятку в положение

Примечание: не используйте воздушную заслонку при запуске горячего двигателя или при повышенной температуре окружающего воздуха.

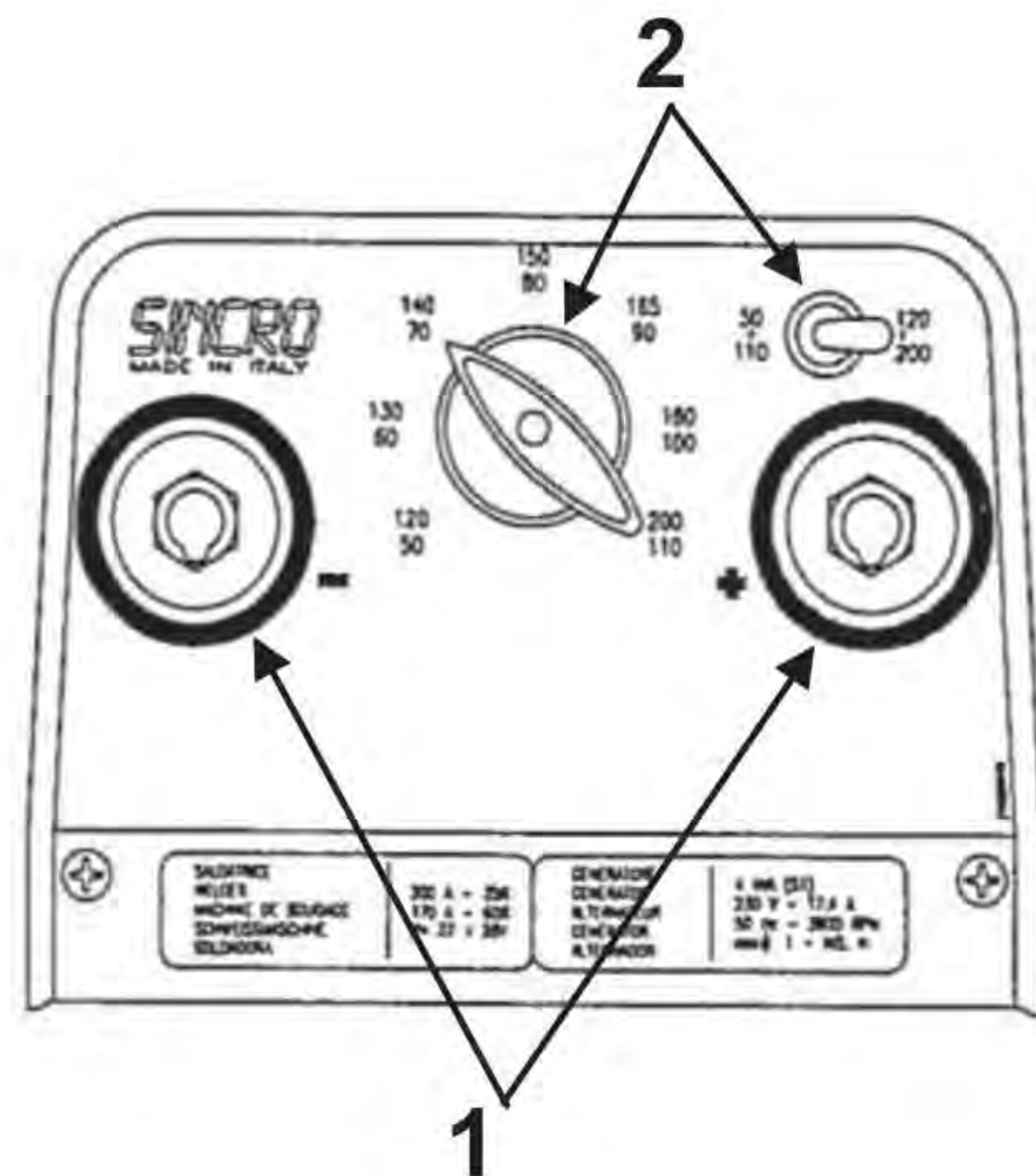
4. Установите выключатель двигателя в положение "ON" или "I".
5. Медленно потяните ручку стартера, пока не почувствуете некоторое сопротивление, затем медленно верните ее в исходное положение.
6. Сильно и резко вытяните ручку стартера, затем медленно верните ее в исходное положение.
7. После запуска двигателя постепенно откройте воздушную заслонку, переводя рукоятку в положение

Если двигатель не запустится, повторяйте эту операцию вплоть до запуска двигателя, постепенно открывая воздушную заслонку.

Сварочные работы

Запрещается одновременная работа электростанции в режиме "сварка" и "генератор". Перед проведением сварочных работ отсоедините всех потребителей от розеток.

1. Вставьте штекеры (+) и (-) сварочных кабелей в соответствующие разъемы (1).
2. Выберите необходимый режим сварки с помощью переключателей (2).



Работа электростанции

Когда установка теплая и при стабилизированных оборотах (около 3 минут работы):

1. Включите выключатель.
2. Подключите приборы к розеткам генераторной установки. Счетчик будет показывать время работы генераторной установки.

Выключение электростанции

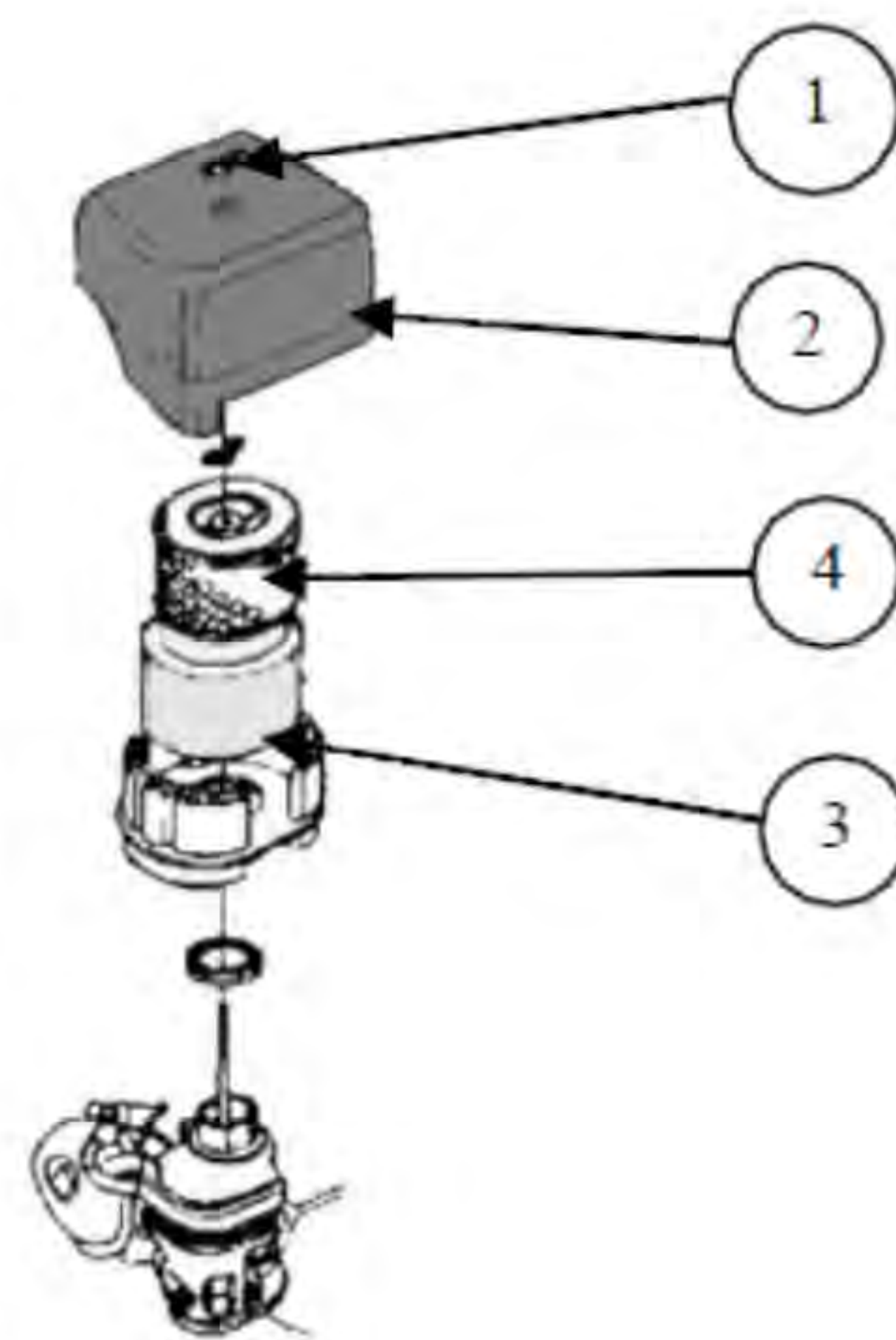
1. Остановите и отключите приборы.
2. Дайте двигателю поработать вхолостую в течение нескольких минут.
3. Установите выключатель двигателя в положение OFF или ON. Генераторная установка остановится.
4. Закройте топливный кран.

6. Техническое обслуживание

- Обслуживание аппарата может производиться только квалифицированным персоналом.
 - Всегда выключайте электростанцию и снимайте колпачок свечи зажигания.
- Проводите следующие работы по обслуживанию регулярно и с соблюдением указанных интервалов.

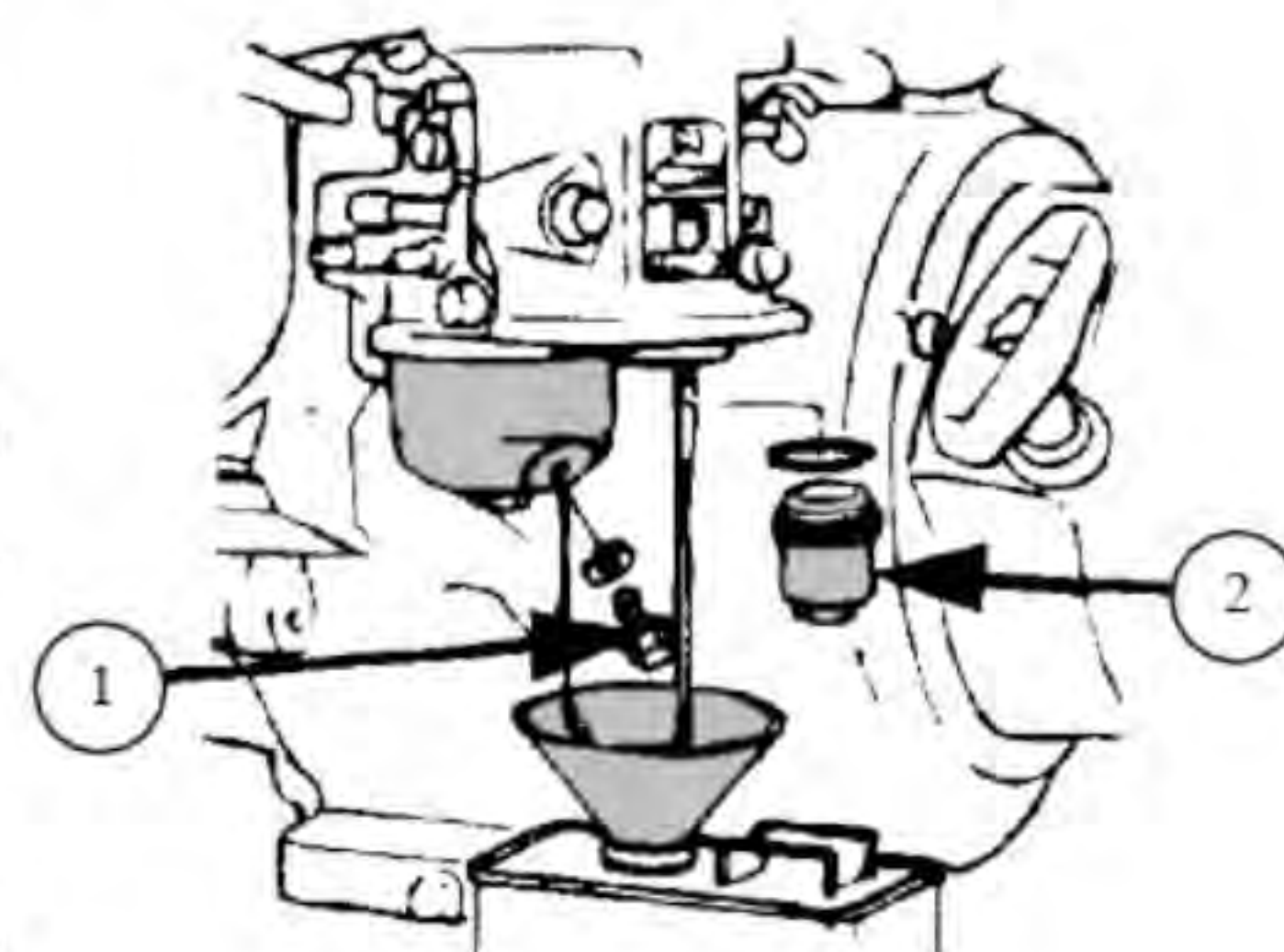
Очистка воздушного фильтра

1. Отверните гайку-барашек (поз. 1) крепления крышки (поз. 2) воздушного фильтра и снимите крышку.
2. Снимите гайку-барашек крепления фильтра.
3. Извлеките узел, состоящий из пеноматериала (поз. 3) и бумаги (поз. 4), и разделите их. Внимательно проверьте оба элемента на отсутствие в них дыр и разрывов. Замените поврежденные элементы.
4. Промойте элемент из пеноматериала в теплом растворе бытового моющего средства и тщательно прополощите, или промойте в невоспламеняющемся или трудно воспламеняющемся растворителе. Тщательно просушите элемент. Пропитайте элемент чистым моторным маслом и отожмите излишек масла. Если в элементе останется слишком много масла, при первом запуске двигатель будет дымить.
5. Бумажный элемент слегка постучите несколько раз по твердой поверхности, чтобы удалить избыточную грязь, или продуйте фильтр сжатым воздухом изнутри наружу. Никогда не пытайтесь удалить загрязнения при помощи щетки. Если элемент слишком сильно загрязнен, замените его.
6. Произведите сборку в обратном разборке.



Очистка стакана отстойника

1. Отвернув шесть винтов, извлеките противозумовой дефлектор. Закройте топливный кран.
 2. Установите под карбюратор подходящую емкость и воронку.
 3. Отверните пробку (поз. 1) и слейте топливо.
 4. Установите пробку на место и затяните.
 5. Снимите стакан отстойника (поз. 2) и прокладку.
 6. Промойте стакан невоспламеняющимся или имеющим высокую температуру возгорания растворителем. Тщательно просушите его.
 7. Установите прокладку и стакан на место.
 8. Затяните стакан.
 9. Откройте топливный кран и убедитесь в отсутствии подтекания топлива.
- Установите противозумовой дефлектор на место в порядке, обратном порядку снятия.



Замена моторного масла

Для быстрого и полного слива масла выполняйте эту операцию на горячем двигателе.

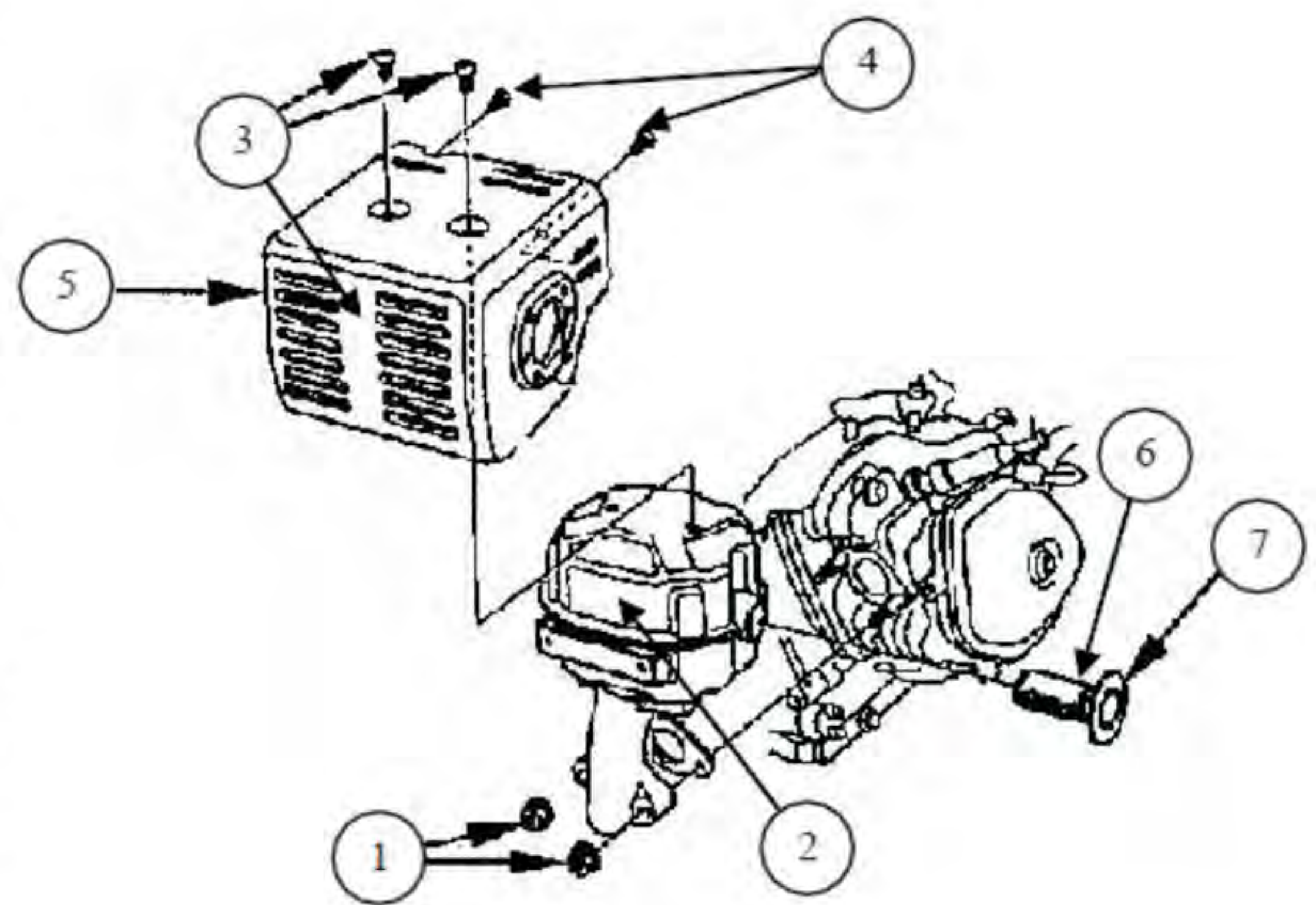
1. Снимите пробку-щуп горловины для заправки масла и пробку сливного отверстия, и слейте масло в подходящую емкость.
2. По окончании слива заверните и затяните пробку сливного отверстия.
3. Наполните картер моторным маслом рекомендованного типа и проверьте уровень масла.
4. Установите на место и затяните пробку-щуп заправочной горловины.
5. Проверьте отсутствие утечек масла после заправки.
6. Удалите все следы масла чистой тряпкой.

Очистка искрогасителя

1. Отверните три винта (поз. 1 и 2) крепления глушителя (поз. 3) и снимите его.
2. Отверните четыре винта (поз. 4 и 5), удерживающие устройства защиты (поз. 6) глушителя, и снимите устройство защиты.
3. Извлеките винт (поз. 7) крепления искрогасителя и снимите его.
4. При помощи металлической щетки удалите нагар с экрана искрогасителя.

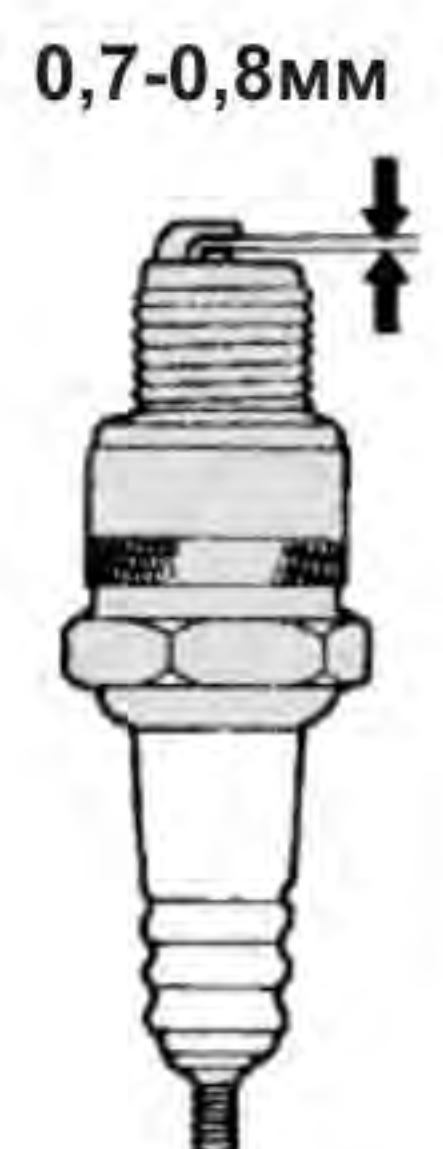
Примечание: В искрогасителе не должно быть ни дыр, ни трещин. Замените его при необходимости.

5. Установите искрогаситель, защиту и глушитель в порядке, обратном разборке.



Проверка свечи зажигания

1. Снимите колпачок со свечи зажигания и при помощи свечного ключа выверните свечу.
2. Осмотрите свечу зажигания. Свечу зажигания с изношенными электродами, оплавленным или отслаивающимся изолятором, следует утилизировать. Если Вы будете использовать свечу зажигания далее, очистите ее металлической щеткой.
3. Проверьте зазор между электродами свечи - должен составлять 0,7-0,8 мм. Проверьте состояние уплотнительной шайбы свечи зажигания и заверните свечу вручную, чтобы не повредить резьбу.
4. Завернув свечу зажигания вручную, доверните ее при помощи свечного ключа, чтобы сжать шайбу.



Примечание: Устанавливая новую свечу, поверните ее на 1/2 оборота, чтобы сжать шайбу. Устанавливая ранее использовавшуюся свечу, поверните ее на 1/8 – 1/4 оборота, чтобы сжать шайбу.

Проверка винтовых соединений

Для предотвращения несчастного случая или поломки необходим ежедневный тщательный контроль всех винтовых соединений.

1. Осматривайте генераторную установку перед каждым запуском и после каждого использования.
2. Подтягивайте винтовые соединения, затяжка которых ослабла.

Примечание: затяжка болтов головки блока цилиндров должна выполняться специалистом. Обратитесь к нашему региональному представителю.

Очистка генераторной установки

1. Удалите пыль и грязь вокруг выпускного коллектора и очистите генераторную установку тряпкой и щеткой (не рекомендуется мыть ее струей воды, запрещается использовать устройства подачи воды под высоким давлением).
2. Тщательно очистите отверстия для впуска и выпуска воздуха на двигателе и генераторе.
3. Проверьте общее состояние генераторной установки и замените неисправные детали.

Элемент	Выполните следующие операции	При каждом использовании	По истечении первых 20 часов	Через каждые 3 месяца или после 50 часов	После 6 месяцев или 100 часов	После 12 месяцев или 300 часов
Резьбовые крепежные элементы	Проверьте затяжку	•				
Моторное масло	Проверьте уровень	•				
	Замените		•		•	
Воздушный фильтр	Проверьте	•				
	Очистите*			•		
Стакан отстойника	Очистите				•	
Свеча зажигания	Проверьте - очистите				•	
Генераторную установку	Очистите				•	
Искрогаситель	Очистите				•	
Клапаны	Проверьте**					•
Топливный бак	Очистите**					•
Топливопровод	Замените**	Через каждые два года				

* При использовании в условиях сильной запыленности производите обслуживание воздушного фильтра чаще.

** Операцию или операции должен выполнять специалист, прошедший специальную подготовку.

При разовом использовании установки смену масла следует проводить не реже одного раза в год.

7. Консервирование электростанции

Если установка не будет эксплуатироваться в течение длительного времени, ее следует специально подготовить к хранению. Убедитесь в том, что в зоне хранения нет избытка пыли или влаги. Очистите внешние поверхности генераторной установки и нанесите средство против ржавчины.

1. Отвернув шесть винтов, извлеките противошумовой дефлектор.
2. Закройте топливный кран (положение OFF), снимите стакан и очистите его от осадка.
3. Откройте топливный кран (положение ON) и слейте топливо из бака в подходящую емкость.
4. Установите на место стакан отстойника и плотно затяните его.
5. Слейте топливо из карбюратора, отвинтив винт слива. Соберите топливо в подходящую емкость.
6. Замените моторное масло.
7. Выверните свечу зажигания и залейте в цилиндр приблизительно 15 мл масла, затем установите свечу на место.
8. Установите противошумовой дефлектор на место в порядке, обратном порядку снятия.
9. Не запуская двигатель, проверните его, чтобы распределить масло по цилиндру.
10. Очистите генераторную установку и накройте двигатель, чтобы защитить его от пыли.

Храните генераторную установку в чистом, сухом месте.

8. Неисправности и их устранение

НЕИСПРАВНОСТЬ	ПРИЧИНА	УСТРАНЕНИЕ
Двигатель не запускается	Во время запуска генераторная установка находится под нагрузкой	Отключите нагрузку
	Недостаточный уровень топлива	Долейте топливо
	Топливный кран закрыт	Откройте кран
	Засорен или протекает топливопровод	Отремонтируйте топливопровод
	Засорен воздушный фильтр	Очистите воздушный фильтр
	Выключатель двигателя находится в положении OFF	Установите выключатель в положение ON
Двигатель глохнет	Неисправная свеча зажигания	Замените свечу
	Недостаток масла.	Проверьте и доведите до нормы уровень масла в двигателе
Не подается электрический ток	Выключен выключатель	Включите выключатель
	Неисправна розетка	Проверьте и отремонтируйте или замените
	Поврежден провод питания электрического прибора	Замените провод
	Неисправен генератор	Проверьте и отремонтируйте или замените
Сработал предохранитель	Неисправно оборудование или электрический провод	Проверьте и отремонтируйте или замените
	Перегрузка	Проверьте нагрузку

9. Гарантийные обязательства

Гарантийный срок на оборудование указывается в прилагаемом сервисном талоне.

Гарантия относится к дефектам в материалах и узлах и не распространяется на компоненты, подверженные естественному износу и работы по техническому обслуживанию.

Гарантийному ремонту подлежат только очищенные от пыли и грязи аппараты в заводской упаковке, полностью укомплектованные, имеющие инструкцию по эксплуатации, гарантийный талон с указанием даты продажи, при наличии штампа магазина, заводского номера и оригиналов товарного и кассового чеков, выданных продавцом.

В течение гарантийного срока Сервисный центр устраняет за свой счёт выявленные производственные дефекты. Производитель снимает свои гарантийные обязательства и юридическую ответственность при несоблюдении потребителем инструкций по эксплуатации, самостоятельной разборки, ремонта и технического обслуживания аппарата, а также не несет никакой ответственности за причиненные травмы и нанесенный ущерб.

